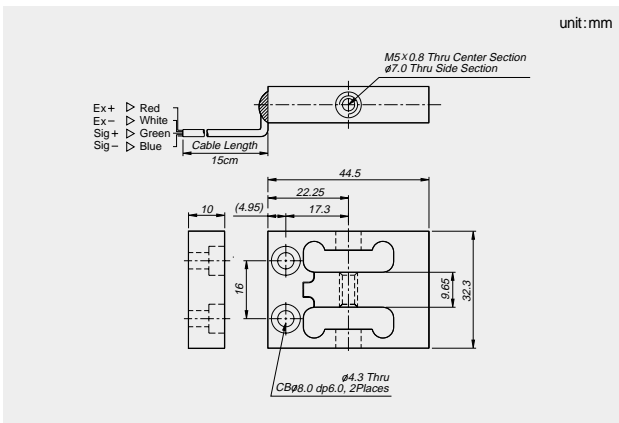


BCK Force sensor, 1kgf - 50kgf



DIMENSIONS



FEATURES

- High bridge impedance
- Overload protection
- Small size and light weight
- Simplified tension and compression loading

SPECIFICATIONS

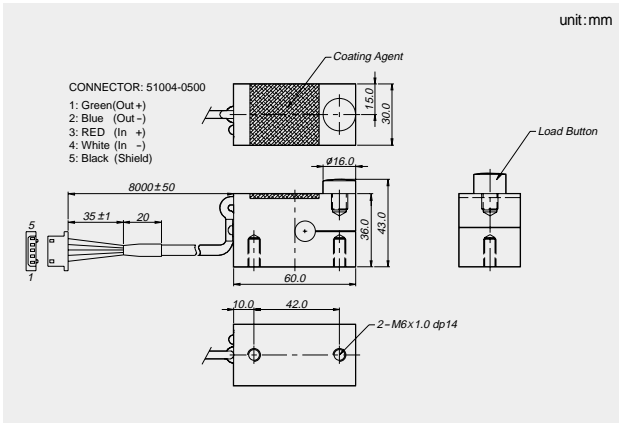
Max. capacity	1, 2, 5, 10, 25, 50
Rated output	2.0 ± 0.2mV/V
Zero balance	0 ± 0.4mV/V
Linearity	0.05%R.O.
Hysteresis	0.05%R.O.
Repeatability	0.01%R.O.
Creep for 20min.	0.1%R.O.
Temperature effect on Zero Value	0.05%R.O./10°C
Output value	0.03%R.O./10°C
Excitation	
Recommended	10V
Maximum	15V
Resistance	
Input	1,160 ± 10 Ω
Output	1,000 ± 10 Ω
Insulation	> 2,000M Ω
Compensated temperature range	-10 to +40°C
Operating temperature range	-20 to +80°C

Load Cell

F S H Compression load cell, 1tf



DIMENSIONS



FEATURES

- Small size
- Force control application

SPECIFICATIONS

Max. capacity	1tf
Rated output	1.5 ± 0.0037mV/V
Zero balance	0 ± 0.15mV/V
Combined error	2%R.O.
Repeatability	0.3%R.O.
Creep for 30min.	0.1%R.O.
Temperature effect on Zero Value	0.05%R.O./10°C
Output value	0.05%R.O./10°C
Excitation	
Recommended	10V
Maximum	15V
Resistance	
Input	400 ± 50 Ω
Output	350 ± 3.5 Ω
Insulation	> 2,000M Ω
Compensated temperature range	-10 to +40°C
Operating temperature range	-40 to +70°C

91 | CAS