

SG-20 Series

Sight Glass

- 현장 조건에 맞게 End Connection 선택 가능
- 투명 글라스를 통하여 유체의 색조 및 기포의 혼입상태 관측 및 유량측정 가능
- 다양한 재질 선택으로 사용 유체 범위 넓음

SG-201 General Specifications

Size	15A(1/2") ~ 50A(2")
Process Connection	KS/JIS/ASME/DIN Std. Flange
Range Ability	5 : 1
Fluid Temperature	Max. 150 °C (Option 200 °C)
Max. Pressure	Max. 10 kgf/cm ² .G (Option 50 kgf/cm ² .G)
Accuracy	±5.0 % F.S (Option ±2.0 % F.S)

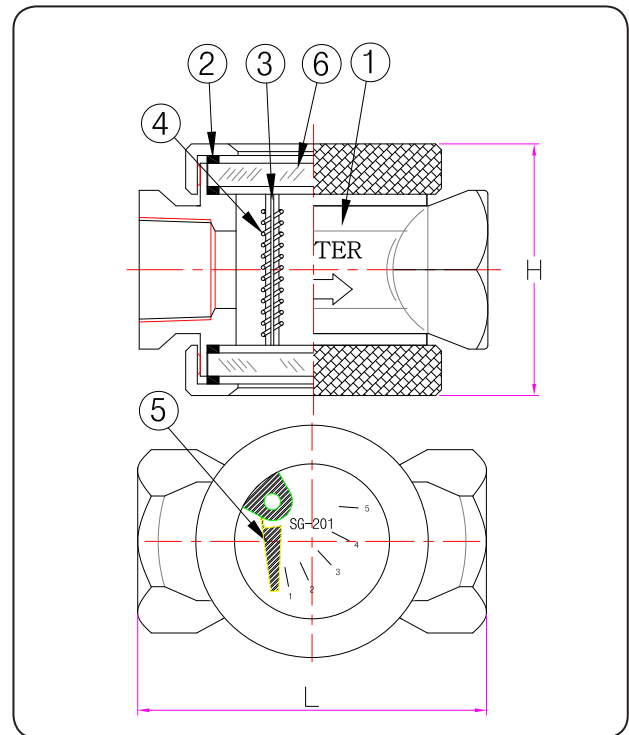
MODEL CODE

SG-20	□	-	□	Specification
1				Screw
			1	Bottom to Top
			2	Top to Bottom
			3	Left to Right
			4	Right to Left

STANDARD MATERIAL

No.	Description	Material		
		A	B	C
1	Body	SS400	304SS	316SS
2	Packing	NBR, PTFE		
3	Axis	304SS		
4	Spring			
5	Flapper	HARD GLASS		
6	Window			

STRUCTURAL DRAWING



FLOW RANGES & DIMENSIONS

Connection Size		최대눈금선정범위			Length (mm)	
		Water (m ³ /h)	Air (Nm ³ /h)	Steam (kg/h)	L	H
8A	1/4B	0.1 - 0.5	30 - 60	50 - 100	70	55
10A	3/8 B	0.2 - 1	30 - 60	50 - 100	70	55
15A	1/2 B	0.4 - 2	30 - 60	50 - 100	80	60
20A	3/4 B	0.4 - 2	30 - 60	50 - 100	90	70
25A	1 B	1 - 5	60 - 150	50 - 200	100	92
32A	1-1/4 B	1 - 5	60 - 150	50 - 200	165	130
40A	1-1/2 B	2 - 10	80 - 300	100 - 400	165	130
50A	2 B	3 - 15	100 - 450	100 - 600	180	140

SG-202 General Specifications

Size	15A(1/2") ~ 300A(12")
Process Connection	KS/JIS/ASME/DIN Std. Flange
Range Ability	5 : 1
Fluid Temperature	Max. 150 °C (Option 200 °C)
Max. Pressure	Max. 15 kgf/cm ² .G
Accuracy	±5.0 % F.S (Option ±2.0 % F.S)

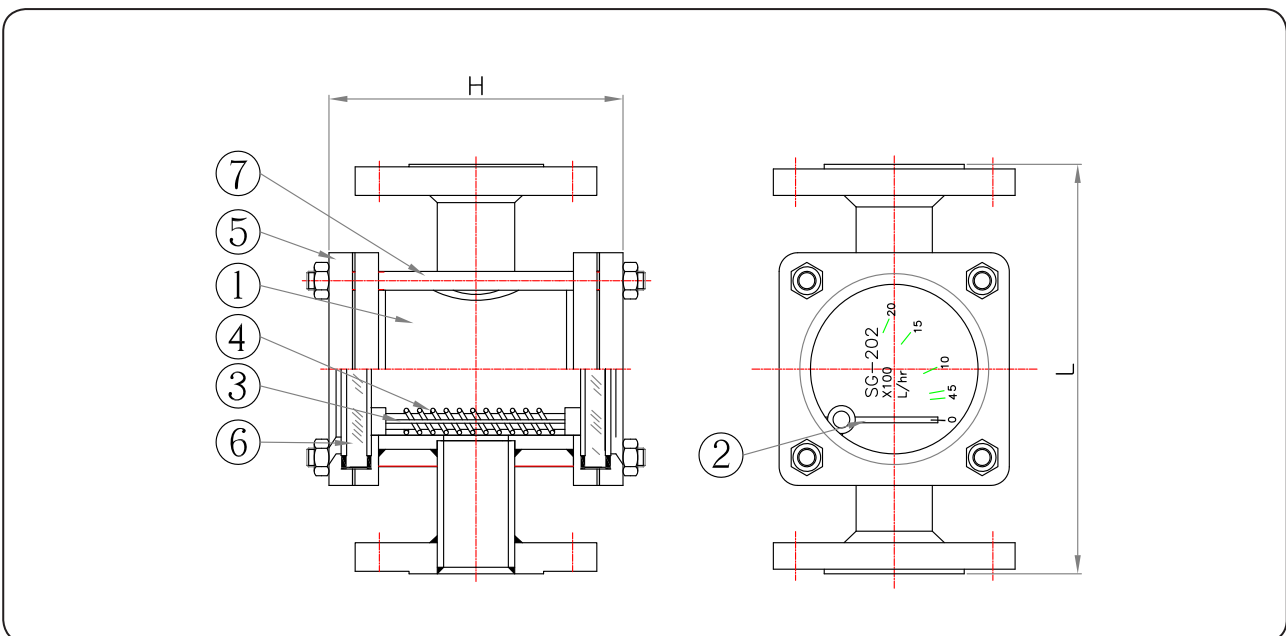
MODEL CODE

SG - 20	□	-	□	Specification
	2			Flange
			1	Bottom to Top
			2	Top to Bottom
			3	Left to Right
			4	Right to Left

STANDARD MATERIAL

No.	Description	Material		
		A	B	C
1	Body	SS400	304SS	316SS
2	Flapper	304SS		316SS
3	Axis			
4	Spring			
5	Cover	SS400, 304SS, 316SS		
6	Window	HARD GLASS		
7	Bolt	SS400	304SS	

STRUCTURAL DRAWING



■ FLOW RANGES & DIMENSIONS

Connection Size		최대눈금범위		최고 압력 (kgf/cm ² .G)	Length (mm)	
		Water (m ³ /h)	Air (Nm ³ /h)		H	L
15A	1/2 B	0.4 – 2	30 – 60	15	35	150
20A	3/4 B	0.4 – 2	30 – 60	15	35	150
25A	1 B	1 – 5	60 – 150	15	55	220
32A	1-1/4 B	1 – 5	60 – 150	15	55	220
40A	1-1/2 B	2 – 10	80 – 300	10	60	220
50A	2 B	3 - 15	100 - 450	10	75	220
65A	2-1/2 B	6 – 30	300 – 900	10	98	260
80A	3 B	8 – 40	600 – 1200	10	98	300
100A	4 B	16 – 80	900 – 2000	10	130	330
125A	5 B	20 – 100	1000-3000	10	140	380
150A	6 B	30 – 150	1200-4500	8	200	480
200A	8 B	50 – 250	1500-9000	6	220	650
250A	10 B	80 – 400	3000-12000	5	240	680
300A	12 B	100 - 600	4500-15000	5	260	720