

# Explosion-Protected Pressure Indicating Switch

Model No. KCD-21 Series

**KINS**



**KCD-21**

[Explosion-protected of protection] Ex d IIC T4

## Summary

This gauge is an internal explosion-proof type of pressure switch for prevention of explosion of plants, etc. The advantage is that it is easy to set the contact from outside as a switch.

### Safety Management

- Do not give impact during transportation, installation and usage.
- Be sure to install the equipment to be horizontal and vertical.
- Do not use it over the capacity of the switch (the standard is under AC 220V 15A)

### Purpose of Use

- Indicating, warning, controlling of pipe pressure in explosion district
- Indicating, warning, controlling of LNG, LPG plant's pressure
- Indicating, warning, controlling of chemical industry plant which has the possibility of explosion.

### Production Specification

- ▶ Accuracy
  - Grade :  $\pm 1.5\%$  of Full Scale
  - Repeatability :  $\pm 1.0\%$  of Adj Range
  - Dead Band :  $\pm 4.0\%$
- ▶ Scale Range
  - $-0.1 \sim 2\text{MPa}$ ,  $0 \sim 35\text{MPa}$
  - ( $\times 1\text{MPa} = 10.19716\text{ kgf/cm}^2$ )
- ▶ Working Pressure
  - Static pressure : 75% of Full Scale
  - Fluctuating pressure : 60% of Full Scale
- ▶ Working Temperature
  - Ambient :  $-20 \sim 65^\circ\text{C}$
  - Fluid :  $-20 \sim 80^\circ\text{C}$
- ▶ Explosion-Protected of Protection
  - Ex d IIC T4

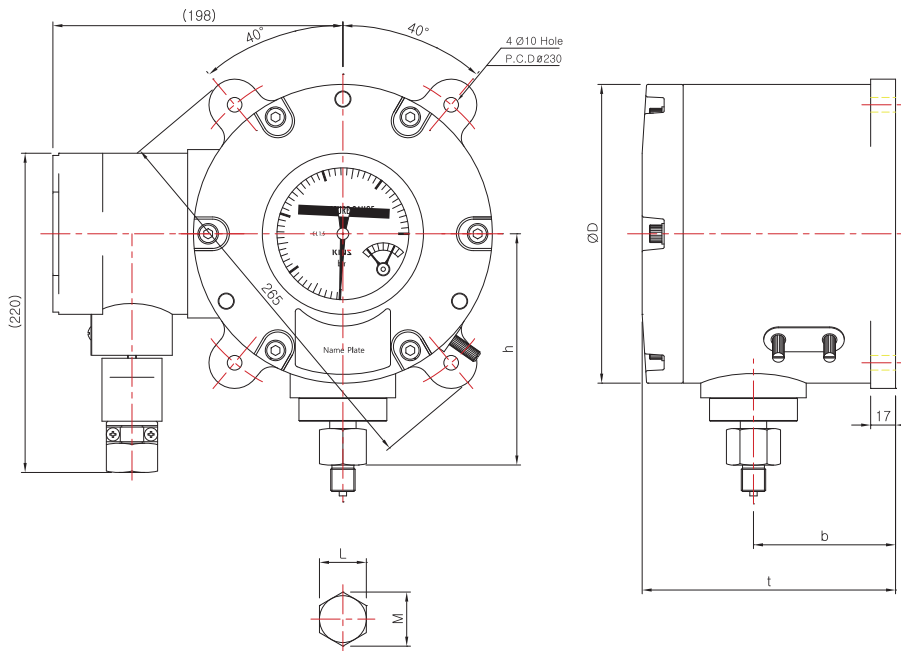
### Product Specification

<p>+ Case</p> <ul style="list-style-type: none"> <li>· Aluminum(Hammer tone coating)</li> </ul>	<p>+ Contact rating</p> <ul style="list-style-type: none"> <li>· AC 125V, 250V 15A</li> <li>· DC 30V 2A / 125V 0.4A / 250V 0.2A</li> </ul>	<p>+ Movement</p> <ul style="list-style-type: none"> <li>· STS 304</li> </ul>
<p>+ Cover</p> <ul style="list-style-type: none"> <li>· Aluminum(Hammer tone coating)</li> </ul>	<p>+ Pointer</p> <ul style="list-style-type: none"> <li>· Aluminum</li> <li>· Pointer black coating</li> <li>· High Pointer : Red color</li> <li>· Low Pointer : Black color</li> </ul>	<p>+ Contact Form</p> <ul style="list-style-type: none"> <li>· SPDT * 1, SPDT * 2</li> <li>(High, Low, High &amp; High</li> <li>High &amp; Low, Low &amp; Low)</li> </ul>
<p>+ Connection</p> <ul style="list-style-type: none"> <li>· STS 316</li> <li>· PF, PT, NPT <math>\leftrightarrow</math> 1/2</li> </ul>	<p>+ Bourdon tube(Element)</p> <ul style="list-style-type: none"> <li>· STS 304, STS 316</li> </ul>	<p>+ Option</p> <ul style="list-style-type: none"> <li>· Diaphragm Seal</li> <li>· Cable Gland</li> <li>· Accessories</li> </ul>
<p>+ Window</p> <ul style="list-style-type: none"> <li>· Tempered safety glass</li> </ul>		

# Explosion-Protected Pressure Indicating Switch

## Model No. KCD-21 Series

### Model No. | KCD-21



#### Dimensions (mm)

Model No.	Conn'n (d)	$\varnothing D$	b	t	L	M	h
KCD-21	NPT & PT, PF 1/2	204	97	(170)	32	(36.9)	(156)

\*( )The measurement in the blanket is approximate.

#### Connection diagram

