

Explosion-Protected Pressure Gauge with Contact(Small Type)

Model No. **KCD-23 Series**

KINS



KCD-23

[Explosion-protected of protection] Ex d IIC T4

Summary

This gauge is to prevent explosion disaster of plants, etc. It is an internal explosion-proof type of pressure switch. In places where combustible gas or liquid exist at petrochemistry or chemical fiber factory, be sure to use a pressure gauge which is an internal explosion-proof type as an electric device.

Safety Management

- Be sure to install a protecting device where exist abrupt change of pressure, vibration and pulsation.
- Do not give impact during the transportation, installation and usage.
- Be sure to install pressure gauge to be horizontal and vertical.

Purpose of Use

- Indicating and warning of piping pressure in explosion district.
- Indicating and warning of the pressure at LNG, LPG plant
- Indicating and warning of chemical industry plant which has the possibility of explosion.

Production Specification

- ▶ Diameter
 - 100 mm
- ▶ Accuracy
 - ±1.0% of Full Scale
- ▶ Scale Range
 - - 0.1 ~ 2 MPa, 0 ~ 35 MPa, 5 ~ 50 kPa
 - MPa (※ 1 MPa = 10.19716 kgf/cm²)
 - Others also can be made up
- ▶ Working Pressure
 - Static pressure : 75% of Full Scale
 - Fluctuating pressure : 60% of Full Scale
- ▶ Working Temperature
 - Ambient : - 20 ~ 65°C
 - Fluid : - 20 ~ 80°C
- ▶ Explosion-Protected of Protection
 - Ex d IIC T4

Product Specification

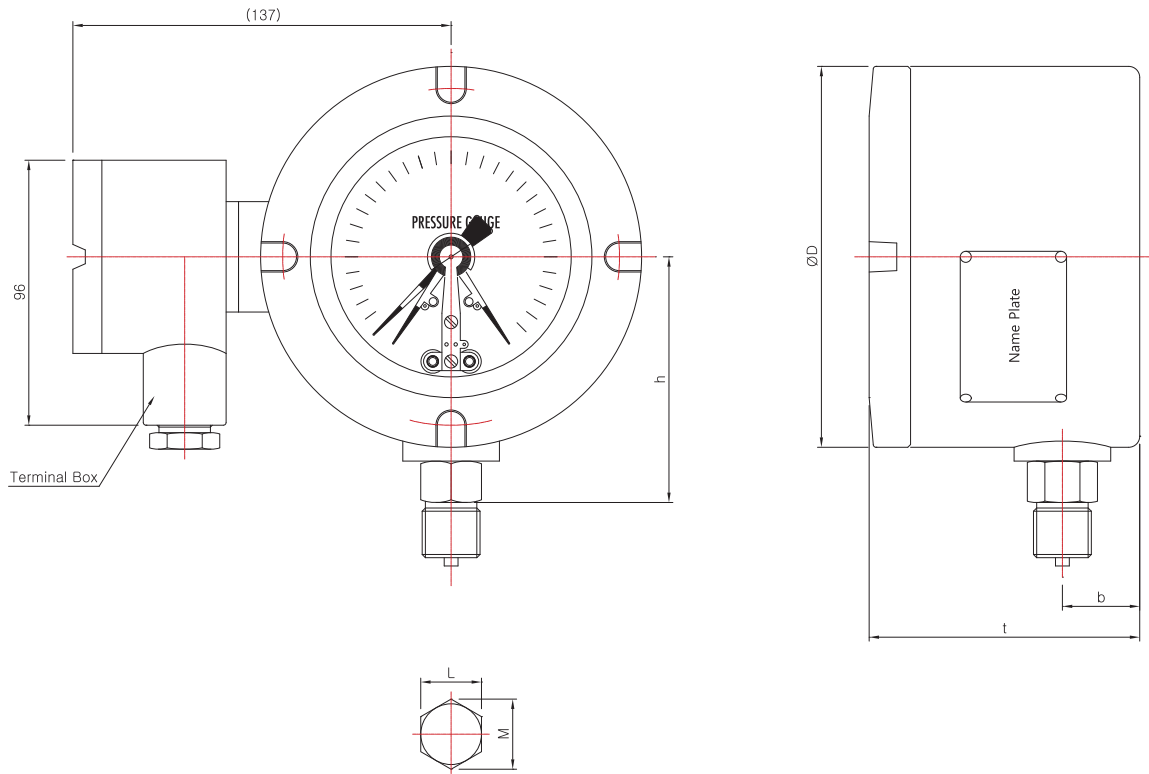
- | | | |
|--|---|---|
| <ul style="list-style-type: none"> + Case <ul style="list-style-type: none"> · Aluminum(Hammer tone coating) + Cover <ul style="list-style-type: none"> · Aluminum(Hammer tone coating) + Connection <ul style="list-style-type: none"> · STS 316 · PF, PT, NPT ↔ 1/2, 3/8 + Window <ul style="list-style-type: none"> · Tempered safety glass, | <ul style="list-style-type: none"> + Contact rating <ul style="list-style-type: none"> · AC 125V 0.5A / 250V 0.25A · DC 24C 0.25A + Pointer <ul style="list-style-type: none"> · Aluminum · Pointer black coating · High Pointer : Red color · Low Pointer : Green color + Dial <ul style="list-style-type: none"> · Aluminum · White coating · Black gradation and characters | <ul style="list-style-type: none"> + Bellows & Bourton tube (Element) <ul style="list-style-type: none"> · STS304, STS316 + Movement <ul style="list-style-type: none"> · STS 304 + Contact Form <ul style="list-style-type: none"> · SPDT * 1, SPDT * 2 (High, Low, High & High High & Low, Low & Low) + Option <ul style="list-style-type: none"> · Throttles · Accessories |
|--|---|---|

Pressure Gauge
 Differential Pressure Gauge & Switch
 Accessories of Pressure Gauge
 Thermometer & Thermometer Switch
 Thermocouple & R.T.D
 Thermowell
 Transmitter
 Indicator etc.
 Technical data

Explosion-Protected Pressure Gauge with Contact(Small Type)

Model No. KCD-23 Series

Model No. | KCD-23 A-Type (Rimless type)



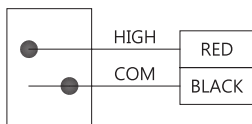
Dimensions (mm)

| Model No. | Conn'n (d) | ØD | b | t | L | M | h |
|-----------|------------------|-----|----|-------|----|--------|------|
| KCD-23 | NPT & PT, PF 3/8 | 138 | 30 | (100) | 22 | (25.4) | (90) |
| | NPT & PT, PF 1/2 | | | | | | |

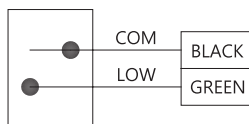
*()The measurement in the blanket is approximate.

Connection diagram

High 1 contact(H)



Low 1 contact(L)



High, Low 2 contact(H & L)

