

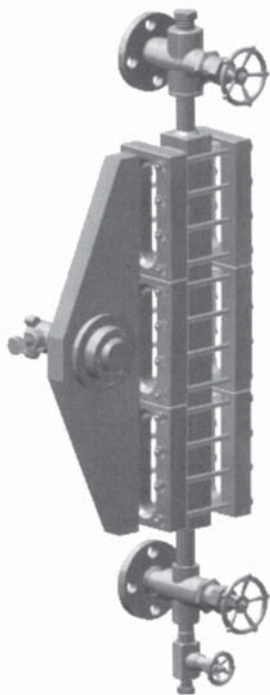
Illuminator

Model : L150, L250

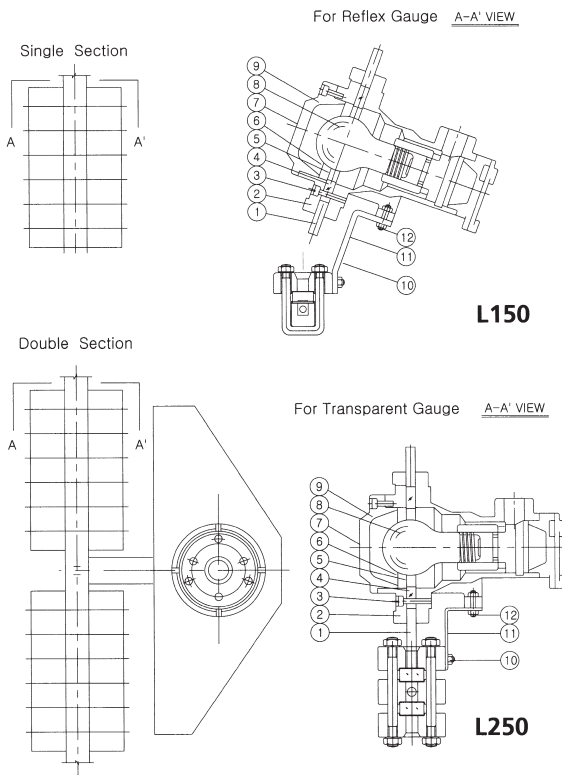


Description

Complete Range of Size : Single and Double Section WISE Explosion-proof Illuminator are made in Single and Double Section styles for Transparent and Reflex Gauges. Double Section illuminator require only one bulb for complete illumination of two gauge sections.



Illuminator Explosion - Proof
Exd IIC T6



L150

L250

Specification

Electricity

Voltage : 110~240V, 60Hz
Bulb light : 30W, 60W, 100W
Explosion-proof : Exd IIC T6

NO.	DESCRIPTION	MATERIAL	Q'TY
1	REFLECTOR	METHACRYLATE	1
2	COVER	AC4C	1
3	BOLT	SUS 304	1
4	GLASS PLATE	GLASS	3
5	O-RING	NBR	1
6	GASKET	T#1000	1
7	COVER	AC4C	1
8	BULB LIGHT		1
9	LIGHT HOUSING	AC4C	
10	BOLT	SS41	2
11	HOLDER	SS412	1
12	BOLT NUT	SS412	2