

Transparent type level gauge

Model : L200 series

Spec. sheet no. LD02-01

Description

Designed for a wide range of pressure and temperature applications. The transparent type level gauge is suitable for observation of the level of corrosive and colored liquids. The type is preferably used for reservoir tanks that require a comparatively long visible length. This type of level gauge utilizes two pieces of tempered flat gauge glasses, each of which is placed in front and rear of gauge body and is sandwiched by gauge covers and tightened by bolts from both sides of the gauge.

Type



Chamber material

Carbon steel, Stainless steel

Max. pressure

4 MPa

Vessel connection

½" ~ 1"



Chamber material

Carbon steel, Stainless steel

Max. pressure

10 MPa

Vessel connection

½" ~ 1"



Chamber material

Carbon steel, Stainless steel

Max. pressure

24 MPa

Vessel connection

½" ~ 1"

Specification

Material

Carbon steel

LTCS

Stainless steel

A182-F11, 22, 5, 9, 91 and Monel

Titanium

Hastelloy

Alloy-20, etc.

Visible length

90 ~ 3,510 mm

Max. No. of section

10 sections

Vessel connection

¾" or 1" flanged ANSI 150 ~ 2,500 Lb

1. Base model

- L200** Transparent type level gauge
L210 Large chamber type transparent level gauge
L220 Zig-zag type transparent level gauge

2. Vessel connection size

ANSI		JIS	
AA	½" 150 Lb RF	JA	15A 10K RF
AB	½" 300 Lb RF	JB	15A 20K RF
AC	½" 600 Lb RF	JC	15A 30K RF
AD	¾" 150 Lb RF	JD	20A 10K RF
AE	¾" 300 Lb RF	JE	20A 20K RF
AF	¾" 600 Lb RF	JF	30A 30K RF
AG	1" 150 Lb RF	JG	25A 10K RF
AH	1" 300 Lb RF	JH	25A 20K RF
AI	1" 600 Lb RF	JI	25A 30K RF
AJ	1½" 150 Lb RF	JJ	40A 10K RF
AK	1½" 300 Lb RF	JK	40A 20K RF
AL	1½" 600 Lb RF	JL	40A 30K RF
AM	2" 150 Lb RF	JM	50A 10K RF
AN	2" 300 Lb RF	JN	50A 20K RF
AO	2" 600 Lb RF	JO	50A 30K RF
AP	½" NPT	JP	½" PT
AQ	¾" NPT	JQ	¾" PT
OH	Other		

3. Vessel connection type

- A** Flanged
B Union and screwed
O Other

4. Hook-up

- B** Top and bottom
L Side and side (Left)
R Side and side (Right)
O Other

5. Gauge connection

- G** Gland
U Union
S Screwed
O Other

6. Gauge valve

- S** Straight
O Off-set
N None

7. Center to center (mm)

XXXX

8. Chamber material

- CS** Body - Carbon steel / Cover - Carbon steel
SS Body - 304SS / Cover - 304SS
ZZ Other

9. Drain end

- D** Dust-proof cap inserted
P With plug
O Other

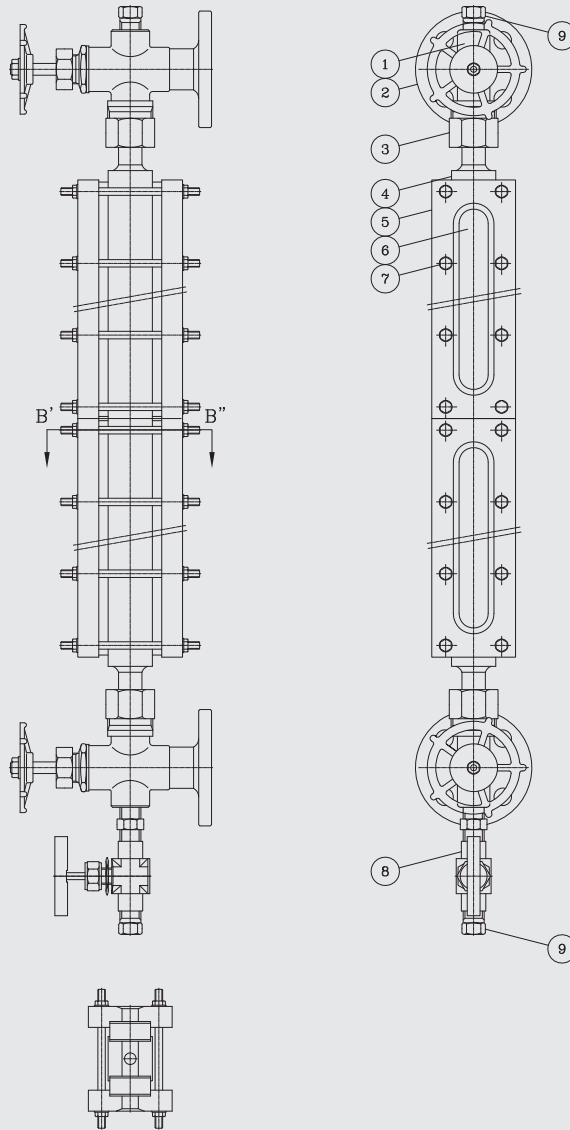
10. Option

- SP** Scale plate
IL Illuminator
LN Lining
JK Jacketing
NF Non-frosting
OH Other
NA None

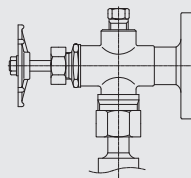
1	2	3	4	5	6	7	8	9	10
L200	AE	A	B	S	O	XXXX	CS	P	SP

Sample ordering code

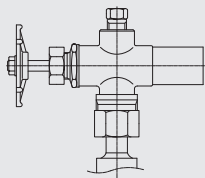
Model : L200 (Transparent type)



Section B'-B''



FLANGE TYPE



SOCKET WELD TYPE

NO.	DESCRIPTION	MATERIAL
1	GAUGE VALVE	A216 WCB/A351 CF8/A351 CF8M
2	VESSEL CONNECTION FLANGE	A105/A182 F304/A182 F316
3	GAUGE CONNECTION	A105/A479 304/A479 316
4	GAUGE BODY	A105/A479 304/A479 316
5	COVER	A105/A479 304/A479 316
6	GLASS	BOLISICATE
7	BOLT	A193 B7/B8
8	DRAIN VALVE	A216 WCB/A351 CF8/A351 CF8M A105/A182 F304/A182 F316
9	PLUG	A105/A479 304/A479 316

Large empty rectangular area for writing.