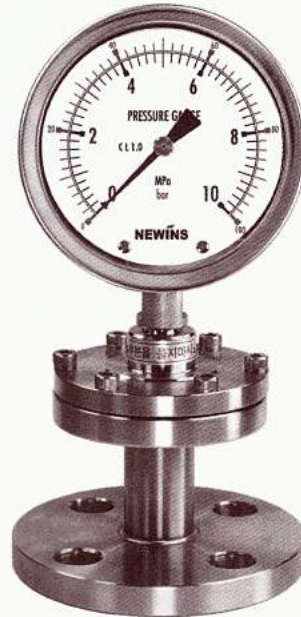


SUMMARY

NP-303-3/6 Series is the pressure gauge is designed to ensures enough performance and the life of the instrument in fluid is mixed with coagulation powder, high corrosive.

Such as petrochemical, corrosive fluid, cement, paper factory, ect. used in the dust, fluid mixed with solid, high temperature, High viscosity fluid, industrial special fluids line.



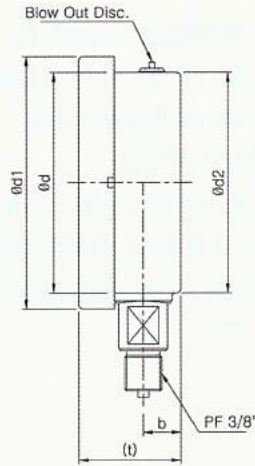
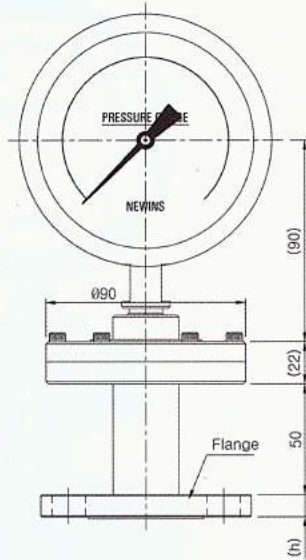
Model. NP-303-3

A
B
C
D
E
F
G
H
I
J

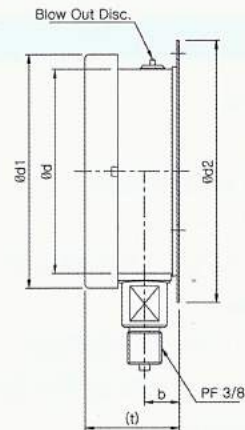
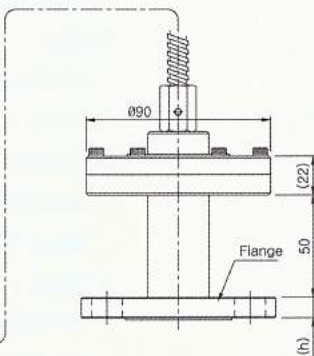
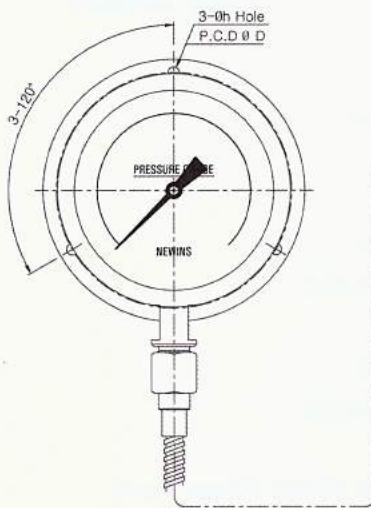
SPECIFICATIONS

- ▶ **Diameter** : 100mm
- ▶ **Accuracy**
100mm : ±1.0% of Full Scale
- ▶ **Scale Range** :
100mm : -0.1~0 MPa, -0.1~2 MPa, 0~10 MPa
- ▶ **Working Pressure** :
Static Pressure : 75% of Full Scale
Fluctuating Pressure : 60% of Full Scale
- ▶ **Working Temperature**
Ambient : -20~65°C
Fluid : -20~80°C
- ▶ **Pressure connection**
STS 304, STS 316
- ▶ **Element**
STS 304, STS 316
C Type Bourdon Tube
- ▶ **Case, Cover**
STS 304
- ▶ **Upper Flange**
STS 304, STS 316
- ▶ **Under Flange**
STS 304, STS 316
See Flange Standard Table
- ▶ **Movement**
STS 304
- ▶ **Dial**
Aluminum
White Coating
- ▶ **Pointer**
Aluminum
Black Coating
- ▶ **Type** :
NP-303-3 (Direct Flange Type)
NP-303-6 (Flexible Flange Type)
- ▶ **Window** :
Safety Glass
- ▶ **Process connection** :
Flange to ANSI, JIS or other Standard
- ▶ **Diaphragm** :
STS 304, STS 316, Hastelloy-C,
Titanium, Tantalum, Nickel, Alloy20
- ▶ **Optional extras** :
Diaphragm and lower Flange are available
in PTFE Coating or PTFE Lining

DIMENSION



Model. NP-303-3



Model. NP-303-6

STANDARD SPECIFICATIONS

Dial	Model No.	ø d	ø d1	b	t	ø h	ø D	Dimensions(mm)				
								JIS 10kgf/cm ² (Type)	h	ANSI CLASS #150 (Type)	h	Capillary Length
100	NP-303-3	100	114	17	(46)	5.5	115	15A(Type "A")	12	1/2B (Type "A")	11.5	-
								20A(Type "B")	14	3/4B (Type "A")	13	
								25A(Type "B")	14	1B (Type "B")	14.5	
	NP-303-6							32A(Type "B")	16	1 1/4B (Type "B")	16	2.3.5m
								40A(Type "B")	16	1 1/2B (Type "B")	17.5	
								50A(Type "B")	16	2B (Type "B")	19.5	