

SUMMARY

NP-306D Series is assembled into the contact mechanism in the indicator.

It was designed to be a pressure indication, sending information and control the electric signal from the set pressure.

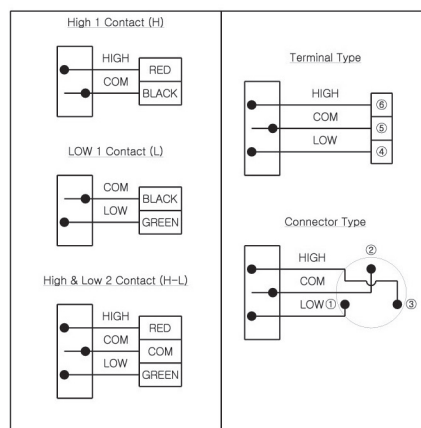


Model. NP-306D-0

SPECIFICATIONS

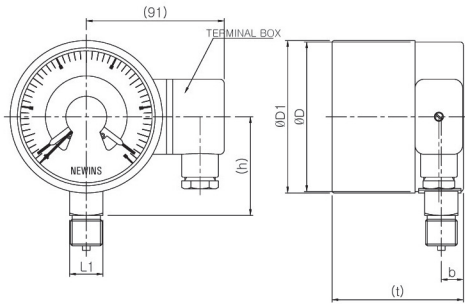
- ▶ **Diameter** : 100mm
- ▶ **Accuracy**
100mm : ±1.0% of Full Scale
- ▶ **Scale Range** :
100,150mm : -0.1 ~ 0 MPa, -0.1~2 MPa, 0~100MPa
- ▶ **Working Pressure** :
Static Pressure : 75% of Full Scale
Fluctuating Pressure : 60% of Full Scale
- ▶ **Working Temperature**
Ambient : -20~65°C
Fluid : -20~80°C
- ▶ **Pressure connection** :
STS 316
- ▶ **Element**
STS 304, STS 316
C Type Bourdon Tube or Helical Tube
- ▶ **Case, Cover**
STS 304
- ▶ **Window**
Poly Carbonate
- ▶ **Movement**
STS 304
- ▶ **Dial**
Aluminum
White Coating
- ▶ **Pointer**
Phosphor Bronze
Black Coating

- ▶ **Type** :
NP-306D-1 (Rimless Type)
NP-306D-2 (Surface Type)
NP-306D-3 (Flush Mounting Type)
NP-306D-4 (Panel attachment Type)
- ▶ **Process connection** :
100mm : 1/4", 3/8", 1/2" PT & NPT, PF
- ▶ **Contact Rating** :
AC 220V 0.7A /1.0A
- ▶ **Contact Type** :
High and Low 2 Contact
(High or Low, High & High,
High & Low, Low & Low)
- ▶ **Option**
Bracket, Throttles, Accessories
- ▶ **Connection Diagram**

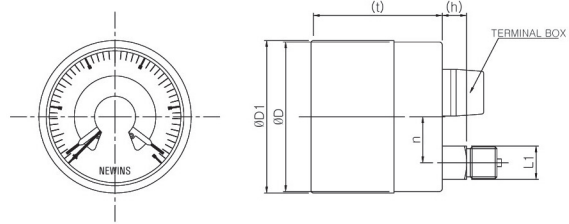


A
B
C
D
E
F
G
H
I
J

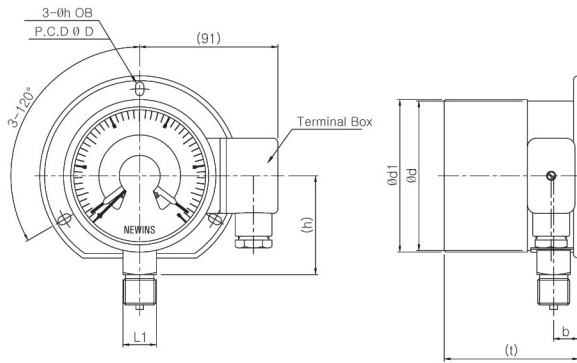
DIMENSION



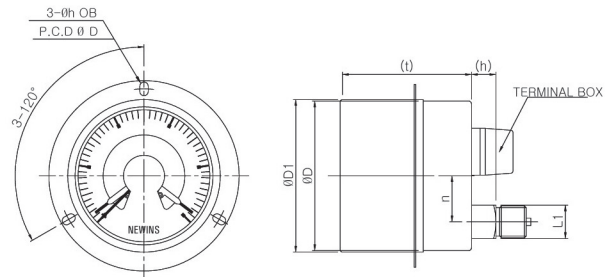
Model. NP-306D-1(A)



Model. NP-306D-3(D)



Model. NP-306D-2(B)



Model. NP-306D-4(BD)

STANDARD SPECIFICATIONS

Dimensions (mm)

Dial	Model No.	Ø d	Ø d1	Ø d2	b	n	t	L1	h	Øh(OB)	ØD
100	NP-306D-1(A)/2(B)	98.7	100.5	132	17	-	(86.5)	22	(66.5)	5.5 x 8	118
	-				32	(20.5)					