

SUMMARY

NP-306M Series is a contact pressure gauge, put the Micro Switch on the pressure gauge. operating the switch, a structure for generating an on, off electrical signal. It represents the alarm by sending such buzzer, bell, Pilot Lamp, ect.

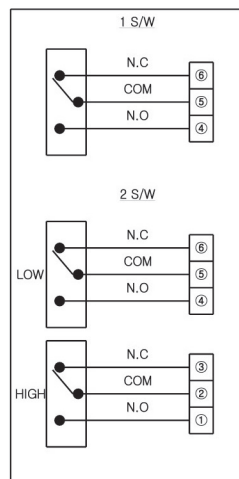


Model. NP-306M-2

SPECIFICATIONS

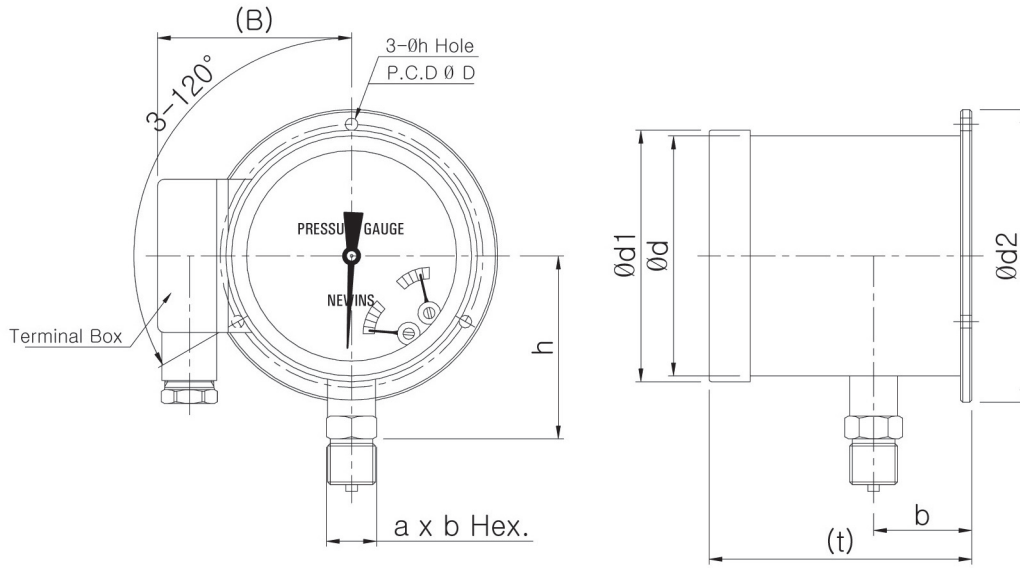
- ▶ **Diameter** : 100,150mm
- ▶ **Accuracy**
100,150mm : ±1.5 of Full Scale
- ▶ **Scale Range** :
100,150mm : -0.1 ~ 0 MPa, -0.1~2 MPa, 0~100MPa
- ▶ **Working Pressure** :
Static Pressure : 75% of Full Scale
Fluctuating Pressure : 60% of Full Scale
- ▶ **Working Temperature**
Ambient : -20~65°C
Fluid : -20~80°C
- ▶ **Pressure connection** :
STS 316
- ▶ **Element**
STS 304, STS 316
C Type Bourdon Tube
- ▶ **Case, Cover**
Aluminum (Hammer Tone Coating)
- ▶ **Window**
General Glass
Safety Glass
- ▶ **Movement**
STS 304
- ▶ **Dial**
Aluminum
White Coating
- ▶ **Pointer**
Aluminum
Black Coating

- ▶ **Type** :
NP-306M-2 (Surface Type)
NP-306M-4 (Panel attachment Type)
- ▶ **Process connection** :
100mm : 3/8", 1/2" PT & NPT, PF
150mm : 3/8", 1/2" PT & NPT, PF
- ▶ **Contact Rating** :
AC 125V 5A / 250V 3A
- ▶ **Contact Type** :
High and Low 2 Contact
(High or Low, High & High,
High & Low, Low & Low)
- ▶ **Option**
Bracket, Accessories
- ▶ **Connection Diagram**

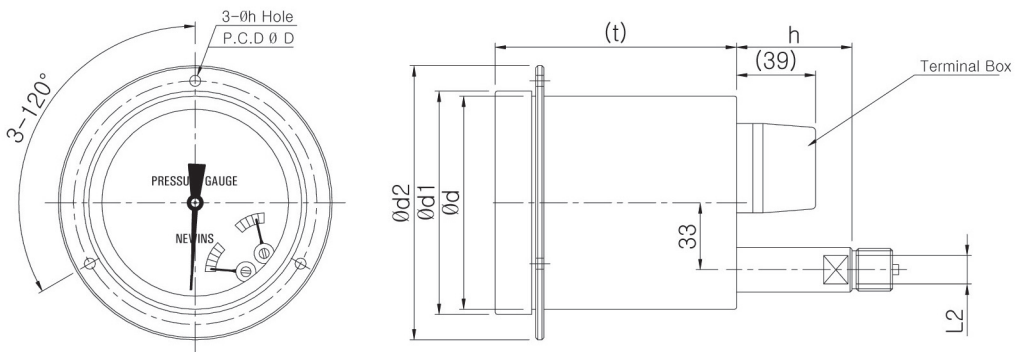


A
B
C
D
E
F
G
H
I
J

DIMENSION



Model. NP-306M-2(B)



Model. NP-306M-4(BD)

STANDARD SPECIFICATIONS

													Dimensions (mm)	
Dial	Model No.	Ø d	Ø d1	Ø d2	b	n	B	t	L2	a x b	h	Øh	ØD	
100	NP-306M-2(B)	105	110	128	43	-	85	(115)	22	-	(80)	5.5	115	
	NP-306M-4(BD)			135	-	33	39		-	22x25.4	(58)			
150	NP-306M-2(B)	156	170	190	43	-	116	(115)	17	-	(128)	5.5	174	
	NP-306M-4(BD)			200	-	33	39		-	22x25.4	(58)			