

SUMMARY

NT-404L Series is a joint of the two metal plates of different coefficient of expansion.

Structure is simple and easy to handle and easy to read the gradation at measurements.

Used in measurement temperature of food processor, hygiene or various plant.



Model. NT-404

SPECIFICATIONS

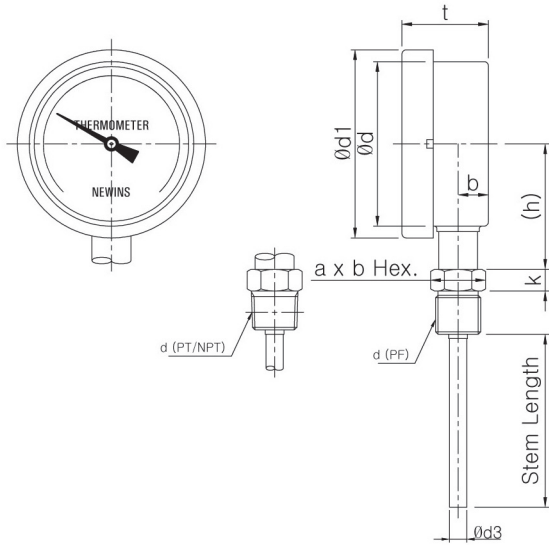
- ▶ **Diameter** : 75,100,125,150mm
- ▶ **Accuracy**
75,100,125,150mm : ±2.0% of Full Scale
- ▶ **Scale Range** :
75,100,125,150mm : -30~600°C
- ▶ **Common Temperature** :
75% of Full Scale
- ▶ **Pressure connection** :
STS 304
- ▶ **Case, Cover**
STS 304
- ▶ **Window**
General Glass
Safety Glass
- ▶ **Dial**
Aluminum
White Coating
- ▶ **Pointer**
Aluminum
Black Coating
- ▶ **Well**
STS 304
Titanium, Monel, Hastelloy
Teflon Lining, Glass Lining

- ▶ **Type** :
NT-404L-1 (75mm Direct Type)
NT-404L-2 (100mm Direct Type)
NT-404L-3 (125mm Direct Type)
NT-404L-4 (150mm Direct Type)
- ▶ **Process connection** :
75mm : 1/4", 3/8", 1/2", 3/4" PT & NPT, PF
100mm : 1/4", 3/8", 1/2", 3/4", 1" PT & NPT, PF
125mm : 1/4", 3/8", 1/2", 3/4", 1" PT & NPT, PF
150mm : 1/4", 3/8", 1/2", 3/4", 1" PT & NPT, PF
- ▶ **Stem Out Dia** :
∅6.4, ∅8, ∅10, ∅12 / STS 304, STS 316
- ▶ **Standard Scale Range & Stem Length**

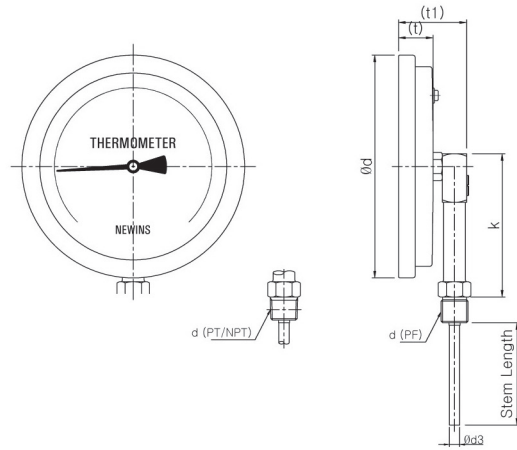
Scale Range(°C)	Stem Length (mm)
-20 ~ 80	50
-20 ~ 100	50
0 ~ 50	75
0 ~ 80	50
0 ~ 100	50
0 ~ 120	50
0 ~ 150	45
0 ~ 200	40
0 ~ 250	35
0 ~ 300	75
0 ~ 350	65
0 ~ 400	60
0 ~ 500	60
0 ~ 600	60

A
B
C
D
E
F
G
H
I
J

DIMENSION



Model. NT-404L-1/2



Model. NT-404L-3/4

STANDARD SPECIFICATIONS

Dimensions (mm)

Dial	Model No.	Connection (d)	ød	ød1	ød3	b	h	t	t1	k	a x b	Stem Length
75	NT-404L-1	PF & PT & NPT 1/4	77	87	6.4, 8	14	(58)	(40)	-	8	17 x (19.6)	50 ~ 1000
		PF & PT & NPT 3/8			6.4, 8, 10					10	19 x (21.9)	
		PF & PT & NPT 1/2			6.4, 8, 10, 12					12	22 x (25.4)	
		PF & PT & NPT 3/4			6.4, 8, 10, 12					14	27 x (31.1)	
100	NT-404L-2	PF & PT & NPT 1/4	100	114	6.4, 8	17	(73)	(40)	-	8	17 x (19.6)	
		PF & PT & NPT 3/8			6.4, 8, 10					10	19 x (21.9)	
		PF & PT & NPT 1/2			6.4, 8, 10, 12					12	22 x (25.4)	
		PF & PT & NPT 3/4			6.4, 8, 10, 12					14	27 x (31.1)	
		PF & PT & NPT 1			6.4, 8, 10, 12					16	36 x (41.5)	
125	NT-404L-3	PF & PT & NPT 1/4	128	-	6.4, 8	-	-	(18)	(41)	100	17 x (19.6)	
		PF & PT & NPT 3/8			6.4, 8, 10					102	19 x (21.9)	
		PF & PT & NPT 1/2			6.4, 8, 10, 12					104	22 x (25.4)	
		PF & PT & NPT 3/4			6.4, 8, 10, 12					106	27 x (31.1)	
		PF & PT & NPT 1			6.4, 8, 10, 12					108	36 x (41.5)	
150	NT-404L-4	PF & PT & NPT 1/4	174	-	6.4, 8	-	-	(27)	(53.2)	108	17 x (19.6)	
		PF & PT & NPT 3/8			6.4, 8, 10					110	19 x (21.9)	
		PF & PT & NPT 1/2			6.4, 8, 10, 12					112	22 x (25.4)	
		PF & PT & NPT 3/4			6.4, 8, 10, 12					114	27 x (31.1)	
		PF & PT & NPT 1			6.4, 8, 10, 12					116	36 x (41.5)	