

Industrial service pressure gauge (125 mm)

Model : P222 series

Spec. sheet no. PD02-02

Service intended

P222 are suitable to be used in a corrosive environment, chemical, petro-chemical, refining facilities, power generation, marine and foods industry. Its stainless steel case and cover have a good appearance and an excellent protection against corrosion and chemical attack.

EAC

Nominal diameter

125 mm (4½")

Accuracy

±0.5 % of full scale

±1.0 % of full scale

Scale range (MPa, kPa, bar)

-0.1 ~ 0 to 0 ~ 200 MPa

Working pressure

Steady : 75 % of full scale

Over range protection : 130 % of full scale

Working temperature

Ambient : -40 ~ 65 °C

-20 ~ 65 °C (With glycerin filling)

-40 ~ 65 °C (With silicone filling)

Fluid : Max. 200 °C

Max. 100 °C (With glycerin filling)

Max. 100 °C (With silicone filling)

Degree of protection

EN60529/IEC529/IP67

Temperature effect

Accuracy at temperature above and below the reference temperature (20 °C) will be effected by approximately

±0.4 % per 10 °C of full scale



Standard features

Pressure connection

Stainless steel (316SS)

Element

316SS

< 10 MPa : C type bourdon tube

≥ 10 MPa : Helical type bourdon tube

Case

Stainless steel (304SS)

Cover

Stainless steel (304SS)

Bayonet type

Window

Safety glass

Blowout protection

Back, rubber disc

Movement

Stainless steel

Dial

White aluminium with black graduations

Pointer

Black painted aluminium alloy

Process connection

⅜", ½" PT, NPT and PF

Zero adjustment

Internal : Micro zero adjustable pointer

WISE[®]

1. Base model

P222 Industrial service pressure gauge

2. Nominal diameter

5 125 mm (4½")

3. Type of mounting

A Bottom connection, direct

4. Accuracy

2 ±0.5 % of full scale

3 ±1.0 % of full scale

5. Process connection

D ⅜"

E ½"

6. Connection type

B PF

C PT

D NPT

F BSPT

G BSP

Z Other

7. Unit

H bar

I MPa

J kPa

8. Range

XXX Refer to pressure unit and range table

9. Dial color

3 2 colors

7 3 colors

10. Option

0 None

1 Accessories

2 Glycerin filling

3 Silicone filling

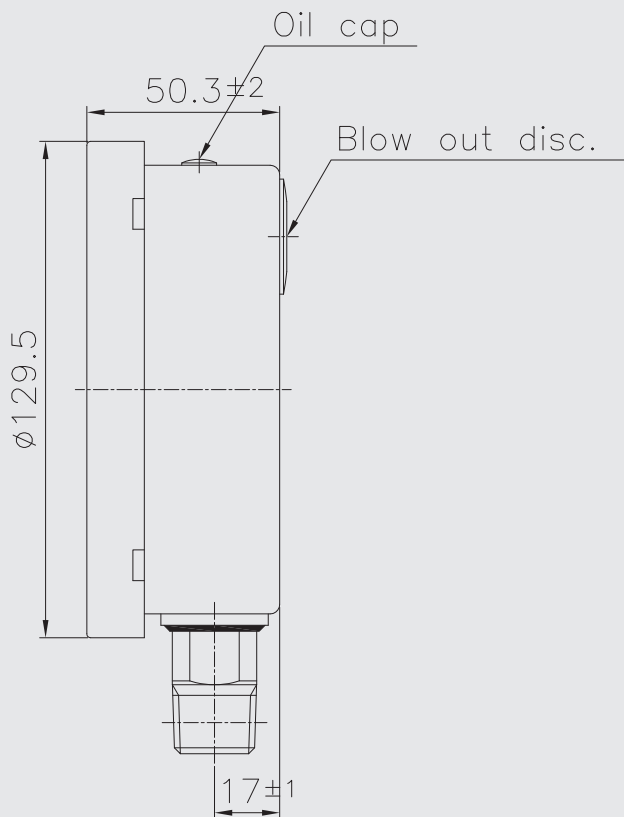
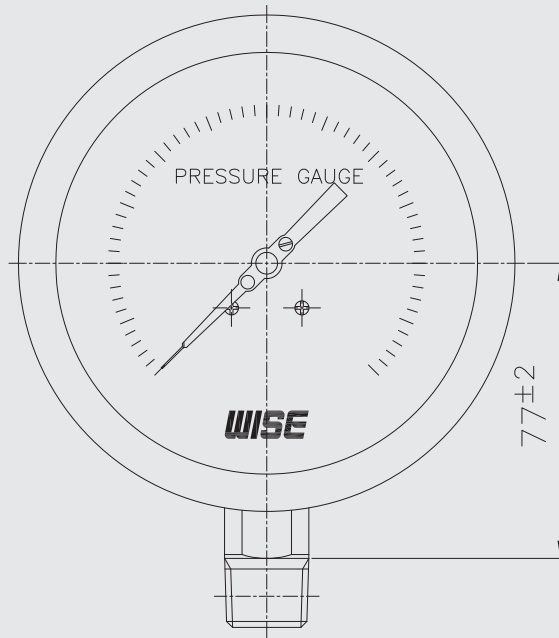
4 Accessories and glycerin filling

5 Accessories and silicone filling

1	2	3	4	5	6	7	8	9	10
P222	5	A	3	E	D	H	XXX	3	2

Sample
ordering code

P222 : Type of mounting



Pressure unit and range table

Range and code	Unit and code			Nominal diameter
	H : bar	I : MPa	J : kPa	125 mm (4½")
026	-1 ~ 0	-0.1 ~ 0	-100 ~ 0	O
040	0 ~ 0.5	0 ~ 0.05	0 ~ 50	O
041	0 ~ 1	0 ~ 0.1	0 ~ 100	O
133	0 ~ 1.6	0 ~ 0.16	0 ~ 160	O
042	0 ~ 2	0 ~ 0.2	0 ~ 200	O
134	0 ~ 2.5	0 ~ 0.25	0 ~ 250	O
043	0 ~ 3	0 ~ 0.3	0 ~ 300	O
044	0 ~ 4	0 ~ 0.4	0 ~ 400	O
045	0 ~ 6	0 ~ 0.6	0 ~ 600	O
047	0 ~ 10	0 ~ 1	0 ~ 1,000	O
050	0 ~ 15	0 ~ 1.5	X	O
143	0 ~ 16	0 ~ 1.6	X	O
051	0 ~ 20	0 ~ 2	X	O
052	0 ~ 25	0 ~ 2.5	X	O
054	0 ~ 35	0 ~ 3.5	X	O
151	0 ~ 40	0 ~ 4	X	O
055	0 ~ 50	0 ~ 5	X	O
056	0 ~ 60	0 ~ 6	X	O
057	0 ~ 70	0 ~ 7	X	O
058	0 ~ 100	0 ~ 10	X	O
059	0 ~ 150	0 ~ 15	X	O
060	0 ~ 160	0 ~ 16	X	O
062	0 ~ 250	0 ~ 25	X	O
064	0 ~ 350	0 ~ 35	X	O
065	0 ~ 400	0 ~ 40	X	O
066	0 ~ 500	0 ~ 50	X	O
067	0 ~ 600	0 ~ 60	X	O
068	0 ~ 700	0 ~ 70	X	O
070	0 ~ 1,000	0 ~ 100	X	O
074	0 ~ 1,600	0 ~ 160	X	O
075	0 ~ 2,000	0 ~ 200	X	O
027	-1 ~ 1	-0.1 ~ 0.1	-100 ~ 100	O
007	-1 ~ 1.5	-1 ~ 0.15	-100 ~ 150	O
028	-1 ~ 2	-0.1 ~ 0.2	-100 ~ 200	O
029	-1 ~ 3	-0.1 ~ 0.3	-100 ~ 300	O
030	-1 ~ 4	-0.1 ~ 0.4	-100 ~ 400	O
010	-1 ~ 5	-0.1 ~ 0.5	-100 ~ 500	O
031	-1 ~ 6	-0.1 ~ 0.6	-100 ~ 600	O
014	-1 ~ 9	-0.1 ~ 0.9	-100 ~ 900	O
032	-1 ~ 10	-0.1 ~ 1	-100 ~ 1,000	O
033	-1 ~ 15	-0.1 ~ 1.5	-100 ~ 1.5 MPa	O
034	-1 ~ 20	-0.1 ~ 2	-100 ~ 2 MPa	O
017	-1 ~ 24	-0.1 ~ 2.4	-100 ~ 2.4 MPa	O
035	-1 ~ 25	-0.1 ~ 2.5	-100 ~ 2.5 MPa	O

O : Available X : Not available