

Safety pattern type pressure gauge

Solid-front and turret style thermoplastic case

Model : P359 series

Spec. sheet no. PD03-03

Service intended

P359 safety pattern pressure gauge comes with 4½" thermoplastic case for corrosive environment and heat resistance. Its solid front and blowout back case are designed to meet the safety requirements.



Nominal diameter

125 mm (4½")

Accuracy

±0.5 % of full scale

±1.0 % of full scale

Scale range (MPa, kPa, bar)

-0.1~ 0 to 0 ~ 200 MPa

Working pressure

Steady : 75 % of full scale

100 % of full scale

Over range protection : 130% of full scale

Working temperature

Ambient : -40 ~ 65 °C

-20 ~ 65 °C (With glycerin filling)

-40 ~ 65 °C (With silicone filling)

Fluid : Max. 200 °C

Max. 100 °C (With glycerin filling)

Max. 100 °C (With silicone filling)



Degree of protection

EN60529/IEC529/IP67

Temperature effect

Accuracy at temperature above and below the reference temperature (20 °C) will be effected by approximately

±0.4 % per 10 °C of full scale

Standard features

Pressure connection

Stainless steel (316SS)

Element

Stainless Steel (316SS)

<10 MPa : C type bourdon tube

≥10 MPa : Helical type bourdon tube

Case

Black glass reinforced thermoplastic (PBTB)

Solid front, Blow-out back

Turret style case with built in rear flange lugs

Window

Polycarbonate

Movement

Stainless steel

Dial

White aluminium with black graduations

Pointer

Black painted aluminium alloy

Zero adjustment

Internal

Process connection

⅜", ½" PF, NPT and PF

Certificates

Pressure equipment directive (2014/68/EU) Annex III Module H
ATEX Ex II GD c IIB TX

Option

Zero adjustment : External

Window : Safety glass

Pressure connection and element : Monel

WISE[®]

| P359_01

1. Base model

P359 Safety pattern type pressure gauge

2. Nominal diameter (mm)

5 125

3. Type of mounting

- B** Bottom connection, surface, case mounting lugs
- L** Lower back connection, surface, case mounting lugs

4. Accuracy

- 2** ±0.5 % of full scale
- 3** ±1.0 % of full scale

5. Process connection

- D** 3/8"
- E** 1/2"

6. Connection type

- B** PF
- C** PT
- D** NPT

7. Unit

- H** bar
- I** MPa
- J** kPa

8. Range

XXX Refer to pressure unit and range table

9. Pressure connection material and dial color

- 3** 316SS and 2 colors
- 4** 316L SS and 2 colors
- 7** 316SS and 3 colors
- 8** 316L SS and 3 colors
- Z** Monel

10. Option

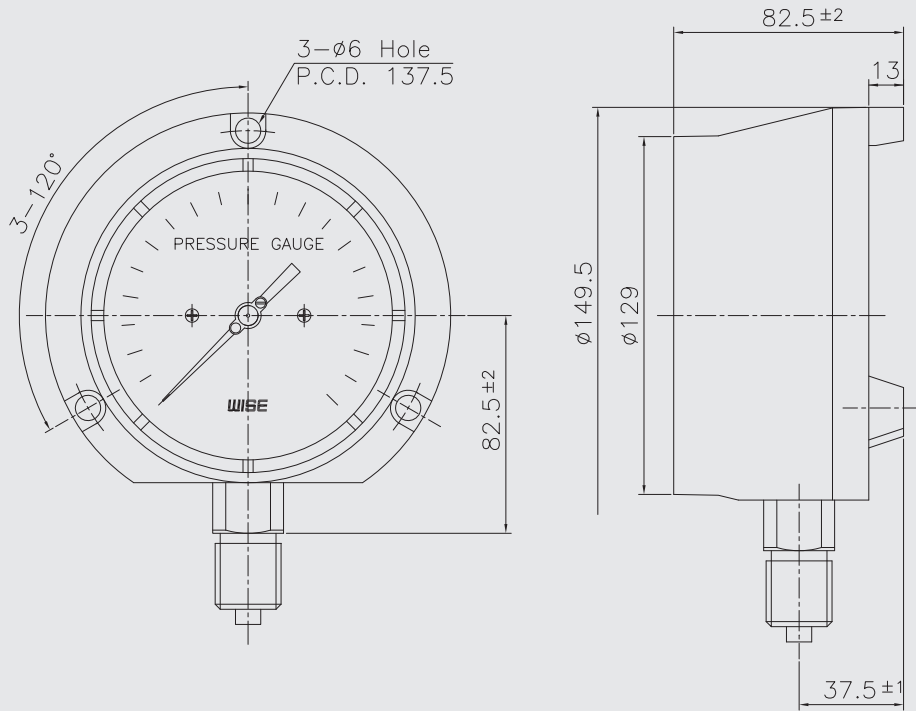
- 0** None
- 1** Accessories
- 2** Glycerin filling
- 3** Silicone filling

1	2	3	4	5	6	7	8	9	10
P359	5	B	3	E	C	I	XXX	3	0

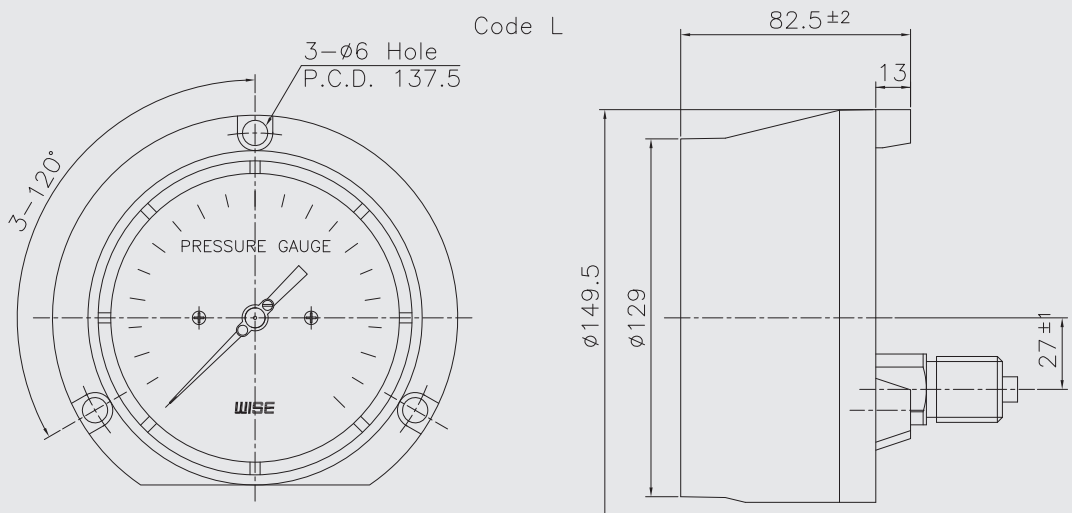
Sample
ordering code

P359 : Type of mounting

Code B



Code L



Pressure unit and range table

Range and code	Unit and code			Accuracy	
	H : bar	I : MPa	J : kPa	±0.5%	±1.0%
026	-1 ~ 0	-0.1 ~ 0	-100 ~ 0	O	O
041	0 ~ 1	0 ~ 0.1	0 ~ 100	O	O
133	0 ~ 1.6	0 ~ 0.16	0 ~ 160	O	O
042	0 ~ 2	0 ~ 0.2	0 ~ 200	O	O
134	0 ~ 2.5	0 ~ 0.25	0 ~ 250	O	O
043	0 ~ 3	0 ~ 0.3	0 ~ 300	O	O
044	0 ~ 4	0 ~ 0.4	0 ~ 400	O	O
045	0 ~ 6	0 ~ 0.6	0 ~ 600	O	O
047	0 ~ 10	0 ~ 1	0 ~ 1,000	O	O
050	0 ~ 15	0 ~ 1.5	X	O	O
143	0 ~ 16	0 ~ 1.6	X	O	O
051	0 ~ 20	0 ~ 2	X	O	O
052	0 ~ 25	0 ~ 2.5	X	O	O
054	0 ~ 35	0 ~ 3.5	X	O	O
151	0 ~ 40	0 ~ 4	X	O	O
055	0 ~ 50	0 ~ 5	X	O	O
056	0 ~ 60	0 ~ 6	X	O	O
057	0 ~ 70	0 ~ 7	X	O	O
058	0 ~ 100	0 ~ 10	X	O	O
059	0 ~ 150	0 ~ 15	X	O	O
060	0 ~ 160	0 ~ 16	X	O	O
062	0 ~ 250	0 ~ 25	X	O	O
064	0 ~ 350	0 ~ 35	X	O	O
065	0 ~ 400	0 ~ 40	X	O	O
066	0 ~ 500	0 ~ 50	X	O	O
067	0 ~ 600	0 ~ 60	X	O	O
068	0 ~ 700	0 ~ 70	X	O	O
070	0 ~ 1,000	0 ~ 100	X	O	O
074	0 ~ 1,600	0 ~ 160	X	O	O
075	0 ~ 2,000	0 ~ 200	X	O	O
027	-1 ~ 1	-0.1 ~ 0.1	-100 ~ 100	O	O
127	-1 ~ 1.5	-0.1 ~ 0.15	-100 ~ 150	O	O
028	-1 ~ 2	-0.1 ~ 0.2	-100 ~ 200	O	O
029	-1 ~ 3	-0.1 ~ 0.3	-100 ~ 300	O	O
030	-1 ~ 4	-0.1 ~ 0.4	-100 ~ 400	O	O
010	-1 ~ 5	-0.1 ~ 0.5	-100 ~ 500	O	O
031	-1 ~ 6	-0.1 ~ 0.6	-100 ~ 600	O	O
014	-1 ~ 9	-0.1 ~ 0.9	-100 ~ 900	O	O
032	-1 ~ 10	-0.1 ~ 1	-100 ~ 1,000	O	O
033	-1 ~ 15	-0.1 ~ 1.5	-100 ~ 1.5 MPa	O	O
034	-1 ~ 20	-0.1 ~ 2	-100 ~ 2 MPa	O	O
035	-1 ~ 25	-0.1 ~ 2.5	-100 ~ 2.5 MPa	O	O

O : Available X : Not available