

Compact design diaphragm seal pressure gauge

Model: P701 series

Spec. sheet no. PD07-01

Service intended

P701 series are designed for diaphragm seal to be combined with a pressure gauge.
It is suitable for corrosive, contaminated, hot or viscous pressure media in chemical and food process.

ERC

Design

Internal diaphragm, upper and under flange welded
no sealing and compact design

Accuracy

P2522 (63 mm) and P2523 (80 mm) : $\pm 1.6\%$ of full scale
P2524 (100 mm) : $\pm 1.0\%$ of full scale

Scale range (MPa, kPa, bar)

-0.1 ~ 0 to -0.1 ~ 2.4 Mpa
0 ~ 0.1 to 0 ~ 25 Mpa

Filling liquid

Silicone oil

Working pressure

Steady : 75 % of full scale (63 and 80 mm)
100 % of full scale (100 mm)
Over range protection : 130 % of full scale

Working temperature

Ambient : -20 ~ 65 °C
Fluid : Max. 100 °C

Degree of protection

EN60529/IEC529/IP65

Temperature effect

Accuracy at temperature above and below the reference temperature (20 °C) will be effected by approximately $\pm 0.5\%$ per 10 °C of full scale



Standard features

Pressure connection (Gauge side)

Stainless steel (316SS)

Under flange (Process side)

316SS, 316L SS, Monel, Hastelloy-C

Diaphragm

316L SS, Hastelloy-C, Tantalum, Monel

Process connection

$\frac{1}{4}$ ", $\frac{3}{8}$ ", $\frac{1}{2}$ " PT, NPT and PF
 $\frac{1}{4}$ " PT and NPT (F)

Diaphragm outer diameter

40 or 48 mm

WISE[®]

1. Base model**P701** Compact design diaphragm seal pressure gauge**2. Nominal diameter****XX** Refer to gauge model and mounting type table**3. Upper flange / Diaphragm material**

J 316SS / 316L SS
K 316SS / Monel
L 316SS / Hastelloy-C
N 316SS / Tantalum

4. Process connection type

CC ¼" PT
BC ⅜" PT
BD ⅜" NPT
EC ½" PT
ED ½" NPT
CP ¼" PT (F)

5. Unit

H bar
I MPa
J kPa

6. Range**XXX** Refer to pressure range table (Max : 25 MPa)**7. Under flange material**

E 316L SS
F Monel
G Hastelloy-C

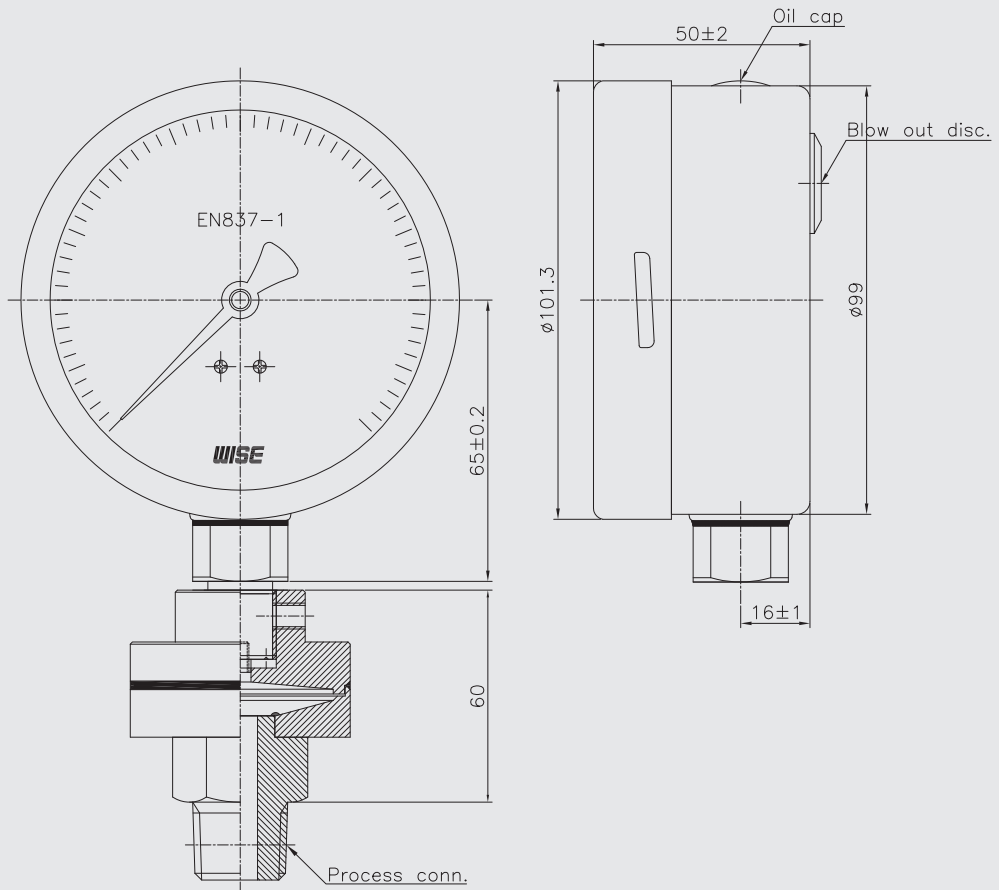
8. Option

0 None
1 Accessories

1	2	3	4	5	6	7	8
P701	XX	J	CC	H	XXX	E	0

Sample
ordering code

P701 : Type of mounting



Pressure unit and range table

Range and code	Unit and code		
	H : bar	J : kPa	I : MPa
041	0 ~ 1	0 ~ 100	0 ~ 0.1
042	0 ~ 2	0 ~ 200	0 ~ 0.2
043	0 ~ 3	0 ~ 300	0 ~ 0.3
044	0 ~ 4	0 ~ 400	0 ~ 0.4
045	0 ~ 6	0 ~ 600	0 ~ 0.6
047	0 ~ 10	0 ~ 1,000	0 ~ 1
050	0 ~ 15	X	0 ~ 1.5
051	0 ~ 20	X	0 ~ 2
052	0 ~ 25	X	0 ~ 2.5
054	0 ~ 35	X	0 ~ 3.5
055	0 ~ 50	X	0 ~ 5
057	0 ~ 70	X	0 ~ 7
058	0 ~ 100	X	0 ~ 10
059	0 ~ 150	X	0 ~ 15
062	0 ~ 250	X	0 ~ 25
028	-1 ~ 2	-100 ~ 200	-0.1 ~ 0.2
029	-1 ~ 3	-100 ~ 300	-0.1 ~ 0.3
030	-1 ~ 4	-100 ~ 400	-0.1 ~ 0.4
031	-1 ~ 6	-100 ~ 600	-0.1 ~ 0.6
032	-1 ~ 10	-100 ~ 1,000	-0.1 ~ 1
033	-1 ~ 15	X	-0.1 ~ 1.5
034	-1 ~ 20	X	-0.1 ~ 2
017	-1 ~ 24	X	-0.1 ~ 2.4

X : Not available

Available gauges model and mounting type table - 5th and 6th characters

7A	P252 63A	7P	P258 63A
7F	P252 63F	7E	P258 63F
7G	P252 63G	7T	P258 63G
7U	P252 80A	8U	P258 80A
7V	P252 80G	8V	P258 80G
8A	P252 100A	8P	P258 100A