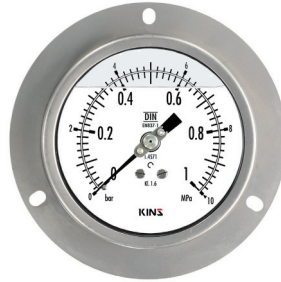


Liquid Filled Euro Pressure Gauge (DIN)

Model No. **SD-3070 Series**



SD-3071



SD-3074

Summary

This gauge is proper for measuring the pressure in place where mechanical vibration and pulsation are heavy because its interior devices are precipitated in silicon liquid and by doing this, it is able to suppress vibration which is used by the viscosity resistance of liquid. This pressure gauge guarantees its performance and the life span as it has relatively better durability than other general pressure gauges because it prevents abrasion of the interior devices using lubricative fluid.

Safety Management

- Do not give impact during the transportation, installation and usage.
- Be sure to install pressure gauge to be horizontal and vertical.

Purpose of Use

- Power plants (thermal, hydraulic, nuclear)
- Oil pressure press, etc. where a lot of vibration and pulsation exist
- Various plants such as chemistry, refinery, shipbuilding industry, etc.
- For industrial use, special fluid line, etc.
- Food industry

Production Specification

- ▶ **Diameter**
 - 63, 80, 100, 160 mm
- ▶ **Accuracy**
 - 63, 80mm : $\pm 1.6\%$ of Full Scale
 - 100mm : $\pm 1.0\%$ of Full Scale
- ▶ **Working Pressure**
 - Static pressure : 75% of Full Scale
 - Fluctuating pressure : 60% of Full Scale
- ▶ **Working Temperature**
 - Ambient : $-20 \sim 65^\circ\text{C}$
 - Fluid : $-20 \sim 80^\circ\text{C}$

▶ Range

63mm	- 0.1 ~ 0 MPa
80mm	0 ~ 35 MPa
100mm	- 0.1 ~ 0 MPa
160mm	0 ~ 200 MPa

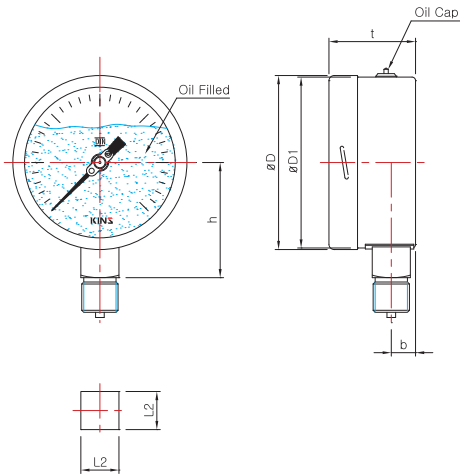
Product Specification

- | | | |
|--|---|---|
| <ul style="list-style-type: none"> + Case <ul style="list-style-type: none"> · STS 304 + Cover <ul style="list-style-type: none"> · STS 304 · Slip-on-Fit + Connection <ul style="list-style-type: none"> · STS 316 · UNF 7/16 · PF, PT, NPT ↔ 1/4, 3/8, 1/2 + Window <ul style="list-style-type: none"> · Tempered safety glass, · Laminated safety glass | <ul style="list-style-type: none"> + Type <ul style="list-style-type: none"> · A-Type (Rimless type) · B-Type (Surface type) · D-Type (Flush mounting type) · BD-Type (Panel attachment type) + Pointer <ul style="list-style-type: none"> · Aluminum · Black coating + Dial <ul style="list-style-type: none"> · Aluminum · White color coating · Black gradation and characters | <ul style="list-style-type: none"> + Element <ul style="list-style-type: none"> · STS 304, STS 316 · C type bourdon tube, helical type bourdon tube + Movement <ul style="list-style-type: none"> · STS 304 + Filling Liquid <ul style="list-style-type: none"> · Silicone oil or Glycerin oil + Option <ul style="list-style-type: none"> · Bracket · Throttles · Accessories |
|--|---|---|

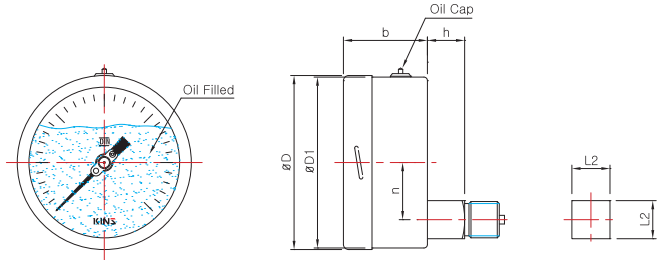
Liquid Filled Euro Pressure Gauge (DIN)

Model No. SD-3070 Series

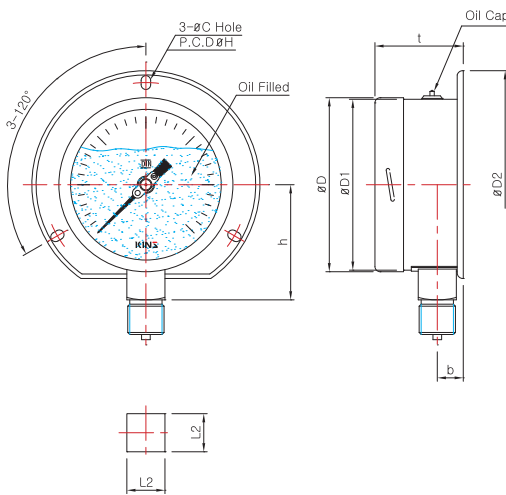
Model No. | SD-3071
A Type (63, 80, 100, 160mm)



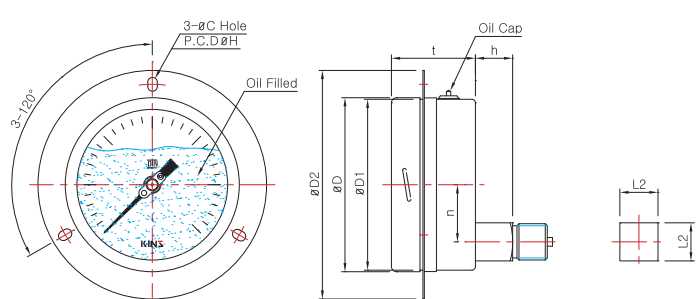
Model No. | SD-3073
D Type (63, 80, 100, 160mm)



Model No. | SD-3072
B Type (63, 80, 100, 160mm)



Model No. | SD-3074
BD Type (63, 80, 100, 160mm)



Pressure Gauge

Differential Pressure Gauge & Switch

Accessories of Pressure Gauge

Thermometer & Thermometer Switch

Thermocouple & R.T.D

Thermowell

Transmitter

Indicator etc.

Technical data

Dimensions (mm)

	Model No.	Conn'n (d)	ØD	ØD1	ØD2	b	n	t	L2	h	ØC(OB)	ØH
63mm	SD-3071 & SD-3072	UNF 7/16	63.6	61.5	85	9	-	(33)	14	(40.5)	4.5x6.5	75
		NPT & PT, PF 1/8										
		NPT & PT, PF 1/4										
	SD-3073 & SD-3074	UNF 7/16	63.6	61.5	92	-	-	(33)	14	(12.5)	4.5x6.5	78
		NPT & PT, PF 1/8										
		NPT & PT, PF 1/4										
80mm	SD-3071 & SD-3072	UNF 7/16	79.5	77.5	111	13	-	(40)	17	(53)	4.5x6.5	95
		NPT & PT, PF 1/4										
		NPT & PT, PF 3/8										
	SD-3073 & SD-3074	UNF 7/16	79.5	77.5	112	-	22	(40)	17	(16)	4.5x6.5	95
		NPT & PT, PF 1/4										
		NPT & PT, PF 3/8										
100mm	SD-3071 & SD-3072	UNF 7/16	100.5	98.7	132	15	-	(48.5)	22	(66.5)	5.5x8	118
		NPT & PT, PF 1/4										
		NPT & PT, PF 3/8										
		NPT & PT, PF 1/2										
	SD-3073 & SD-3074	UNF 7/16	100.5	98.7	132	-	32	(48.5)	22	(20.5)	5.5x8	118
		NPT & PT, PF 1/4										
NPT & PT, PF 3/8												
NPT & PT, PF 1/2												
160mm	SD-3071 & SD-3072	UNF 7/16	160	146	182.5	17	-	(51)	22	(102)	5.5x8	162
		NPT & PT, PF 1/4										
		NPT & PT, PF 3/8										
		NPT & PT, PF 1/2										
	SD-3073 & SD-3074	UNF 7/16	160	146	192	-	48	(51)	22	(20)	5.5x8	178
		NPT & PT, PF 1/4										
NPT & PT, PF 3/8												
NPT & PT, PF 1/2												

*()The measurement in the blanket is approximate.

Pressure Gauge

Differential Pressure Gauge & Switch

Accessories of Pressure Gauge

Thermometer & Thermometer Switch

Thermocouple & R.T.D

Thermowell

Transmitter

Indicator etc.

Technical data