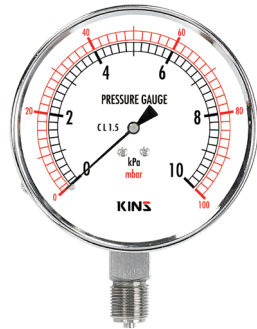


General Low Pressure Gauge

Model No. **SS-3050 Series**

KINS



SS-3051

Summary

This gauge is specially designed to measure low pressure which cannot be measured by a bourdon pipe pressure gauge. This gauge uses a specially designed chamber as the element.

Safety Management

- Be sure to install a protecting device where exist abrupt change of pressure, vibration and pulsation.
- Do not give impact during the transportation, installation and usage.
- Be sure to install pressure gauge to be horizontal and vertical.

Purpose of Use

- Measurement of micro pressure for various uses
- Measuring by converting liquid level inside various tanks to pressure.
- Measurement of pressure of various gas pipes arrangement.

Production Specification

- ▶ Diameter
 - 75, 100 mm
- ▶ Accuracy
 - $\pm 1.5\%$ of Full Scale
- ▶ Working Pressure
 - Static pressure : 75% of Full Scale
 - Fluctuating pressure : 60% of Full Scale
- ▶ Working Temperature
 - Ambient : $-20 \sim 65$ °C
 - Fluid : $-20 \sim 80$ °C

▶ Range

75mm	- 5 kPa ~ + 5 kPa
100mm	- 5+5 kPa ~ + 50+50 kPa
	5 kPa ~ 50 kPa

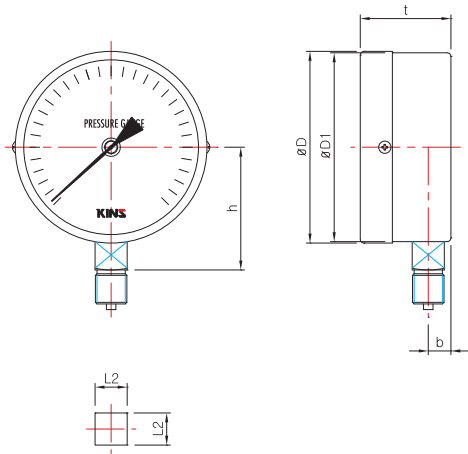
Product Specification

- | | | |
|---|---|--|
| <ul style="list-style-type: none"> + Case <ul style="list-style-type: none"> · SS-3051, 3052 Steel(SPCD) <ul style="list-style-type: none"> ▶ Cr-Plating · SS-3053, 3054 STS 304 + Cover <ul style="list-style-type: none"> · SS-3051, 3052 Steel(SPCD) <ul style="list-style-type: none"> ▶ Cr-Plating · SS-3053, 3054 STS 304 + Connection <ul style="list-style-type: none"> · Brass(C3604BE) . STS 304 · PF, PT ↔ 1/4, 3/8, 1/2 | <ul style="list-style-type: none"> + Window <ul style="list-style-type: none"> · General glass + Type <ul style="list-style-type: none"> · A-Type (Rimless type) + Pointer <ul style="list-style-type: none"> · Aluminum · Black coating + Dial <ul style="list-style-type: none"> · Aluminum · White color coating · black (kPa), red (mbar) gradation and characters | <ul style="list-style-type: none"> + Movement <ul style="list-style-type: none"> · Brass + Element <ul style="list-style-type: none"> · Phosphor Bronze + Option <ul style="list-style-type: none"> · Accessories |
|---|---|--|

General Low Pressure Gauge

Model No. **SS-3050 Series**

Model No. | **SS-3051**
A Type (75, 100mm)



Pressure Gauge

Differential Pressure Gauge & Switch

Accessories of Pressure Gauge

Thermometer & Thermometer Switch

Thermocouple & R.T.D

Thermowell

Transmitter

Indicator, etc.

Technical data

Dimensions (mm)

	Model No.	Conn'n (d)	ØD	ØD1	ØD2	b	n	t	L2	h	ØC	ØH
75mm	SS-3051	NPT & PT, PF 1/4	78	76.5	100	13	-	(50)	17	(50)	4.5	88
		NPT & PT, PF 3/8										
100mm	SS-3051	NPT & PT, PF 1/4	101.5	100	128	12	-	(48)	17	(65)	5.5	115
		NPT & PT, PF 3/8										

*()The measurement in the blanket is approximate.