

Sanitary Pressure Gauge

Model No. **SS-3133/4 Series**

KINS



SS-3133 100mm



SS-3134 100mm

Summary

This gauge is designed to guarantee the performance and the life span of the equipment which measures low temperature in case when measuring fluid which is mixed with powder that has coagulation in pressure measurement in chemical industry or when corrosiveness is very high.

Safety Management

- Do not give impact during the transportation, installation and usage.
- Be sure to install pressure gauge to be horizontal and vertical.

Purpose of Use

- Food processor, tank
- Fluid with high viscosity, temperature, pressure

Production Specification

- ▶ Diameter
 - 100 mm
- ▶ Accuracy
 - $\pm 1.0\%$ of Full Scale
- ▶ Scale Range
 - SS-3133 : $-0.1 \text{ MPa} \sim 2 \text{ MPa}$, $0 \sim 10 \text{ MPa}$
 - SS-3134 : $-0.1 \sim 0.3 + 2 \text{ MPa}$, $0 \sim 10 \text{ MPa}$
 - (※ $1 \text{ MPa} = 10,19716 \text{ kgf/cm}^2$)
- ▶ Working Pressure
 - Static pressure : 75% of Full Scale
 - Fluctuating pressure : 60% of Full Scale
- ▶ Working Temperature
 - Ambient : $-20 \sim 80 \text{ }^\circ\text{C}$
 - Fluid : $-20 \sim 80 \text{ }^\circ\text{C}$

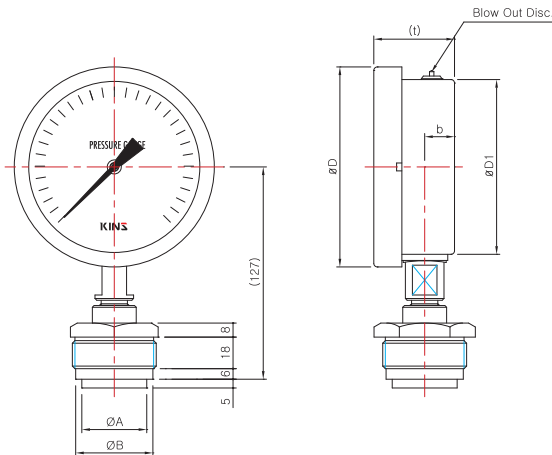
Product Specification

<ul style="list-style-type: none"> + Case <ul style="list-style-type: none"> · STS 304 + Cover <ul style="list-style-type: none"> · STS 304 · Slip-on-Fit + Flange <ul style="list-style-type: none"> · STS 304, STS 316 + Type <ul style="list-style-type: none"> · 3133(A)-Type (Male screw portable type) · 3134(A)-Type (Flange portable type) 	<ul style="list-style-type: none"> + Connection <ul style="list-style-type: none"> · STS 316 · PF \leftrightarrow 1 1/4, PF 1 1/2(SS-3133) · See the flange standard table(SS-3134) + Window <ul style="list-style-type: none"> · Tempered safety glass, · Laminated safety glass + Pointer <ul style="list-style-type: none"> · Aluminum · Black coating 	<ul style="list-style-type: none"> + Dial <ul style="list-style-type: none"> · Aluminum · White coating · Black (MPa), red (bar) gradations and characters + Element <ul style="list-style-type: none"> · STS 304, STS 316 · C type bourdon tube + Movement <ul style="list-style-type: none"> · STS 304 + Diaphragm <ul style="list-style-type: none"> · STS 304, STS 316
--	---	---

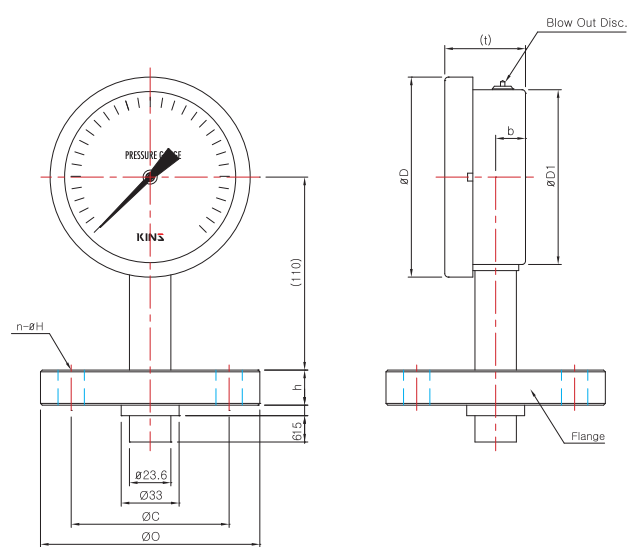
Sanitary Pressure Gauge

Model No. SS-3133/4 Series

Model No. | SS-3133 (100mm)
Male screw portable type



Model No. | SS-3134 (100mm)
Flange portable type



Dimensions (mm)

Model No.	Conn'n (d)	ØD	ØD1	b	t	h	ØA	ØB	L	M
SS-3133	PF 1 1/4	114	100	17	(46)	(127)	33	38.7	46	(53.1)
	PF 1 1/2							44.2	50	(57.7)

Model No.	ØD	ØD1	b	t	JIS 10kgf/cm ²	ØO	ØC	n-ØH	h	ANSI CLASS #150	ØO	ØC	n-ØH	h
SS-3134	114	100	15	(46)	15A	95	70	4-Ø15	22	1/2B	89	60.3	4-Ø16	21.5
					20A	100	75	4-Ø15	24	3/4B	98	69.9	4-Ø16	23.0
					25A	125	90	4-Ø19	24	1B	108	79.4	4-Ø16	24.5
					32A	135	100	4-Ø19	26	1 1/4B	117	88.9	4-Ø16	26.0
					40A	140	105	4-Ø19	26	1 1/2B	127	98.4	4-Ø16	27.5
					50A	155	120	4-Ø19	26	2B	152	120.6	4-Ø19	29.5

*()The measurement in the blanket is approximate.

Pressure Gauge

Differential Pressure Gauge & Switch

Accessories of Pressure Gauge

Thermometer & Thermometer Switch

Thermocouple & RTD

Thermowell

Transmitter

Indicator etc.

Technical data