

# Sanitary Pressure Gauge

Model No. **SS-3137/8 Series**



SS-3137 100mm



SS-3138 100mm

## Summary

This gauge is designed to guarantee the performance and the lifespan of the equipment which measures pressure of fluid which is mixed with powder that has coagulation in chemical industry such as food and various devices and lines for sanitation, etc. It also guarantees the performance and the lifespan when measuring fluid which has high corrosiveness.

### Safety Management

- Do not give impact during transportation, installation and usage
- Be sure to install the pressure gauge to be vertical and horizontal

### Purpose of Use

- Food processor, tank
- Fluid with high viscosity, temperature, pressure

### Production Specification

- ▶ Diameter
  - 100 mm
- ▶ Accuracy
  - $\pm 1.0\%$  of Full Scale
- ▶ Scale Range
  - SS-3137 :  $-0.1 \sim 0.3 \text{ MPa} + 2 \text{ MPa}$  0  $\sim 3.5 \text{ MPa}$
  - SS-3138 :  $-0.1 \sim 2 \text{ MPa}$ , 0  $\sim 10 \text{ MPa}$   
(※ 1 MPa = 10.19716 kgf/cm<sup>2</sup>)
- ▶ Working Pressure
  - Static pressure : 75% of Full Scale
  - Fluctuating pressure : 60% of Full Scale
- ▶ Working Temperature
  - Ambient :  $-20 \sim 80 \text{ }^\circ\text{C}$
  - Fluid :  $-20 \sim 80 \text{ }^\circ\text{C}$

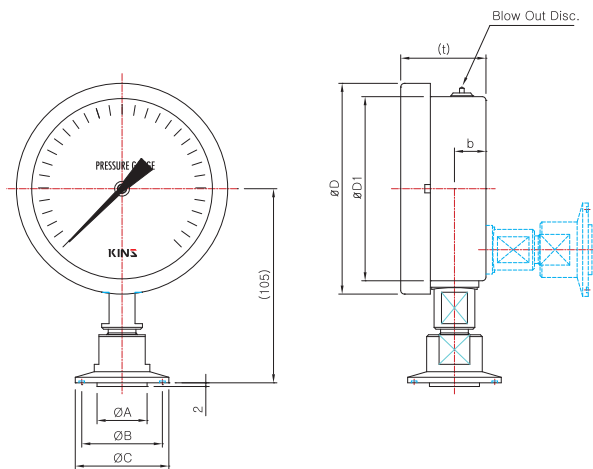
### Product Specification

- |  |   |  |
|--|---|--|
| <ul style="list-style-type: none"> <li>+ Case                             <ul style="list-style-type: none"> <li>· STS 304</li> </ul> </li> <li>+ Cover                             <ul style="list-style-type: none"> <li>· STS 304</li> <li>· Slip-on-Fit</li> </ul> </li> <li>+ Type                             <ul style="list-style-type: none"> <li>· 3137(A)-Type (Clamp type)</li> <li>· 3138(A)-Type (Male screw stationary type)</li> </ul> </li> <li>+ Connection                             <ul style="list-style-type: none"> <li>· STS 316</li> <li>· Clamp : 1 S, 1 1/2S, 2S, 2 1/2S, 3S, 4S (SS-3137)</li> <li>· IDF &amp; DIN 1 1/2S, 2S, 2 1/2S, 3S : Male(SS-3138)</li> </ul> </li> </ul> | <ul style="list-style-type: none"> <li>+ Window                             <ul style="list-style-type: none"> <li>· Tempered safety glass,</li> <li>· Laminated safety glass</li> </ul> </li> <li>+ Pointer                             <ul style="list-style-type: none"> <li>· Aluminum</li> <li>· Black coating</li> </ul> </li> <li>+ Dial                             <ul style="list-style-type: none"> <li>· Aluminum</li> <li>· White coating</li> <li>· Black (MPa), red (bar) gradations and characters</li> </ul> </li> <li>+ Element                             <ul style="list-style-type: none"> <li>· STS 304, STS 316</li> <li>· C type bourdon tube</li> </ul> </li> </ul> | <ul style="list-style-type: none"> <li>+ Movement                             <ul style="list-style-type: none"> <li>· STS 304</li> </ul> </li> <li>+ Diaphragm                             <ul style="list-style-type: none"> <li>· STS 304, STS 316</li> </ul> </li> </ul> |
|--|---|--|

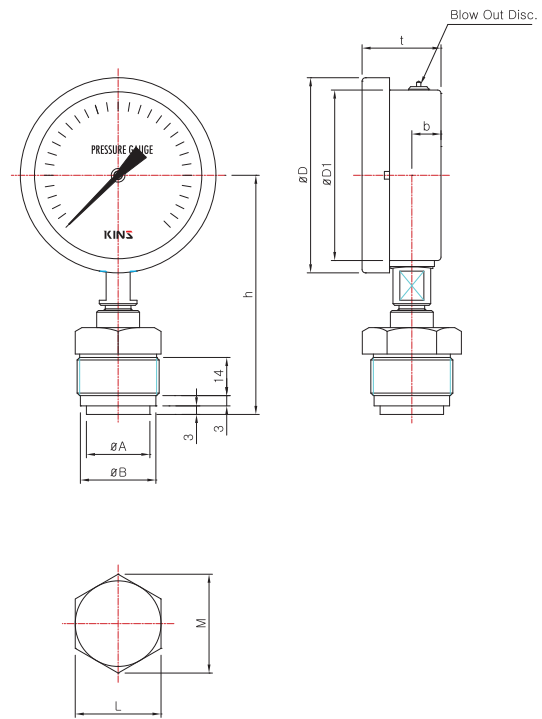
# Sanitary Pressure Gauge

## Model No. SS-3137/8 Series

Model No. | SS-3137 (100mm)  
Clamp type



Model No. | SS-3138 (100mm)  
Male screw stationary type



### Dimensions (mm)

Model No.	Conn'n (d)	ØD	ØD1	b	t	h	ØA	ØB	ØC
SS-3137	1 S	114	100	17	(46)	(105)	33	43,5	50,5
	1 1/2 S						33	43,5	50,5
	2 S						47	46,5	64
	2 1/2 S						58	70,5	78
	3 S						70	83,5	91
	4 S						98	110	119

Model No.	Conn'n (d)	ØD	ØD1	b	t	h	ØA	ØB
SS-3138	1 1/2 S	114	100	17	(46)	(105)	33	43
	2 S						47	56
	2 1/2 S						58	69,7
	3 S						70	82,6

\*( )The measurement in the blanket is approximate.

Pressure Gauge

Differential Pressure Gauge & Switch

Accessories of Pressure Gauge

Thermometer & Thermometer Switch

Thermocouple & R.T.D

Thermowell

Transmitter

Indicator etc.

Technical data