

# Accessories of Pressure Gauge

## Model No. SS-TS Tank Syphon Series



Tank Syphon

### Summary

Those accessories' performance and lifespan are dependent on selection of gauge, correct installation and using method. Therefore, before installing a pressure gauge, it is important to select a proper accessories for purpose of use. Tank Syphon is a apparatus for radiation of heat and it is used in high temperature.

#### Purpose of Use

- For protection against heat -When measuring high temperature steam
- When preventing high pressure and pulsatory motion
- When inspecting the performance of pressure gauge for fueling

#### Production Specification

- ▶ Materials
  - Steel (Ni-plating)
  - Stainless Steel
- ▶ Connection

Material	Gauge	Pipe
STS	PF 3/8	PF 3/8
	PF 1/2	PF 1/2

- ▶ Test Pressure
  - 20 MPa
- ▶ Tank Capacity
  - 120 cc
- ▶ Maximum Working Pressure
  - 15 MPa
- ▶ Maximum Working Temperature
  - 350 °C

#### Product Specification

##### + Body

- Steel · · · SS41 (Ni-plating)
- St, St · · · STS 316

##### + Joint

- Steel · · · SS41 (Ni-plating)
- St, St · · · STS 316

##### + Joint

- Brass · · · SS41(Ni-plating)
- St, St · · · STS 316

##### + Pipe-Inlet

- Steel · · · STS 316TP
- St, St · · · STS 316TP

##### + Cooling effect

- Tank Syphon's cooling effect is a little bit less than Coil Pipesyphon, therefore, when you try to measure high temperature steam, you need to install it in a straight pipe to reduce the heat effect.

Pressure Gauge

Differential Pressure Gauge & Switch

Accessories of Pressure Gauge

Thermometer & Thermometer Switch

Thermocouple & R.T.D

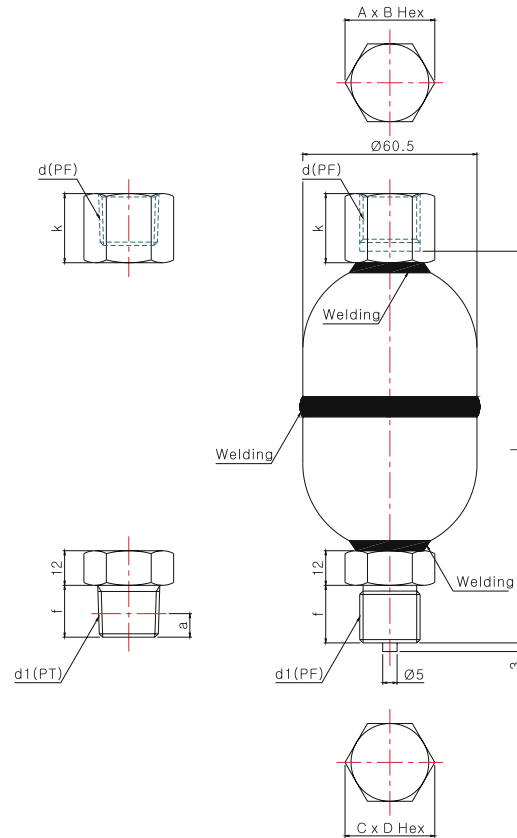
Thermowell

Transmitter

Indicator, etc.

Technical data

### Model No. | SS-TS Tank Syphon (Female x Male)



#### Dimensions (mm)

Model No.	Con'n(d1)	Con'n(d)	AxB Hex	CxD Hex	k	f	L	e
Tank Syphon (PF x PT)	PF 3/8	PT 3/8	22 x 25,4	22 x 25,4	22	18	-	134
	PF 3/8	PT 1/2	27 x 31,1	27 x 31,1	24	20	-	136
	PF 1/2	PT 3/8	27 x 31,1	27 x 31,1	24	18	-	134
	PF 1/2	PT 1/2	27 x 31,1	27 x 31,1	24	20	-	136
	PF 3/8	PT 3/8	22 x 25,4	22 x 25,4	22	16	6,35	132
	PF 3/8	PT 1/2	27 x 31,1	27 x 31,1	24	18	8,16	134
	PF 1/2	PT 3/8	27 x 31,1	27 x 31,1	24	16	6,35	132
	PF 1/2	PT 1/2	27 x 31,1	27 x 31,1	24	18	8,16	134
	PF 3/8	PT 3/8	22 x 25,4	22 x 25,4	22	18	-	134
	PF 3/8	PT 1/2	27 x 31,1	27 x 31,1	24	20	-	136
	PF 1/2	PT 3/8	27 x 31,1	27 x 31,1	24	18	-	134
	PF 1/2	PT 1/2	27 x 31,1	27 x 31,1	24	20	-	136
	PF 3/8	PT 3/8	22 x 25,4	22 x 25,4	22	16	6,35	132
	PF 3/8	PT 1/2	27 x 31,1	27 x 31,1	24	18	8,16	134
	PF 1/2	PT 3/8	27 x 31,1	27 x 31,1	24	16	6,35	132
	PF 1/2	PT 1/2	27 x 31,1	27 x 31,1	24	18	8,16	134

Pressure Gauge

Differential Pressure Gauge & Switch

Accessories of Pressure Gauge

Thermometer & Thermometer Switch

Thermocouple & R.T.D

Thermowell

Transmitter

Indicator etc

Technical data