

# Direct reading aluminium case thermometer with electrical contact

## Model : T721(H), T722(H/L), T723(L), T724(H/HH)

Spec. sheet no. TD07-02

### Service intended

Contact type temperature gauge is installed with electric contact actuated by pointer. It provides the function which electrical circuit can be opened or closed by manual setpoint. It is applicable where signal is required (Audible or visual alarm) for control of resistance or any other application with auxiliary relay and contact.



### Nominal diameter

100 mm

### Accuracy

±2.0% of full scale

### Measuring system (SAMA class IIIB)

Organic gas : 0 ~ 200°C  
Inert gas : -200 ~ 700°C

### Working range

Maximum scale value



## Standard features

### Location of stem

Bottom connection, surface, case mounting  
Lower back connection, direct

### Case

Black finished aluminium

### Cover

Black finished aluminium

### Capillary

Capillary : 1.6/0.2 mm, 316SS  
Armored tube : 7.5/5.5 mm, 304SS

### Window

Acrylic

### Dial

White aluminium with black graduation

### Contacts

Maximum voltage : 250 V AC  
Contact rating : AC 220 V, 0.25 A  
DC 100 V, 0.5 A  
With max. no of contact : 2 sets per gauge

### Pointer

Black finished aluminium

### Stem

8.0, 10.0 and 12.0 mm  
316SS and 316L SS

### Stem, process connection

3/8", 1/2", 3/4" PT, NPT and PF

### Optional

±1.0% of full scale

**1. Base model**

- T721** Direct reading aluminium case thermometer with electric contact (High alarm)
- T722** Direct reading aluminium case thermometer with electric contact (High and low alarm)
- T723** Direct reading aluminium case thermometer with electric contact (Low alarm)
- T724** Direct reading aluminium case thermometer with electric contact (High and high alarm)

**2. Nominal diameter (mm)**

- 4** 100

**3. Type of mounting**

- B** Bottom connection, surface, case mounting plate
- G** Lower back connection, direct

**4. Stem material**

- 1** 316SS
- 2** 316L SS

**5. Stem, process connection**

- A** None
- D** 3/8"
- E** 1/2"
- F** 3/4"

**6. Stem connection type (CF: Compression fitting)**

- A** None
- B** PF
- C** PT
- D** NPT
- E** CF + PT
- F** CF + NPT
- G** CF + PF
- H** MT + PT (Movable thread)
- I** MT + NPT (Movable thread)
- J** MT + PF (Movable thread)

**7. Stem outer diameter (mm)**

- 2** 8.0
- 3** 10.0
- 4** 12.0

**8. Range**

- XXX** Refer to scale range table

**9. Insertion length**

- X** Refer to insertion length table

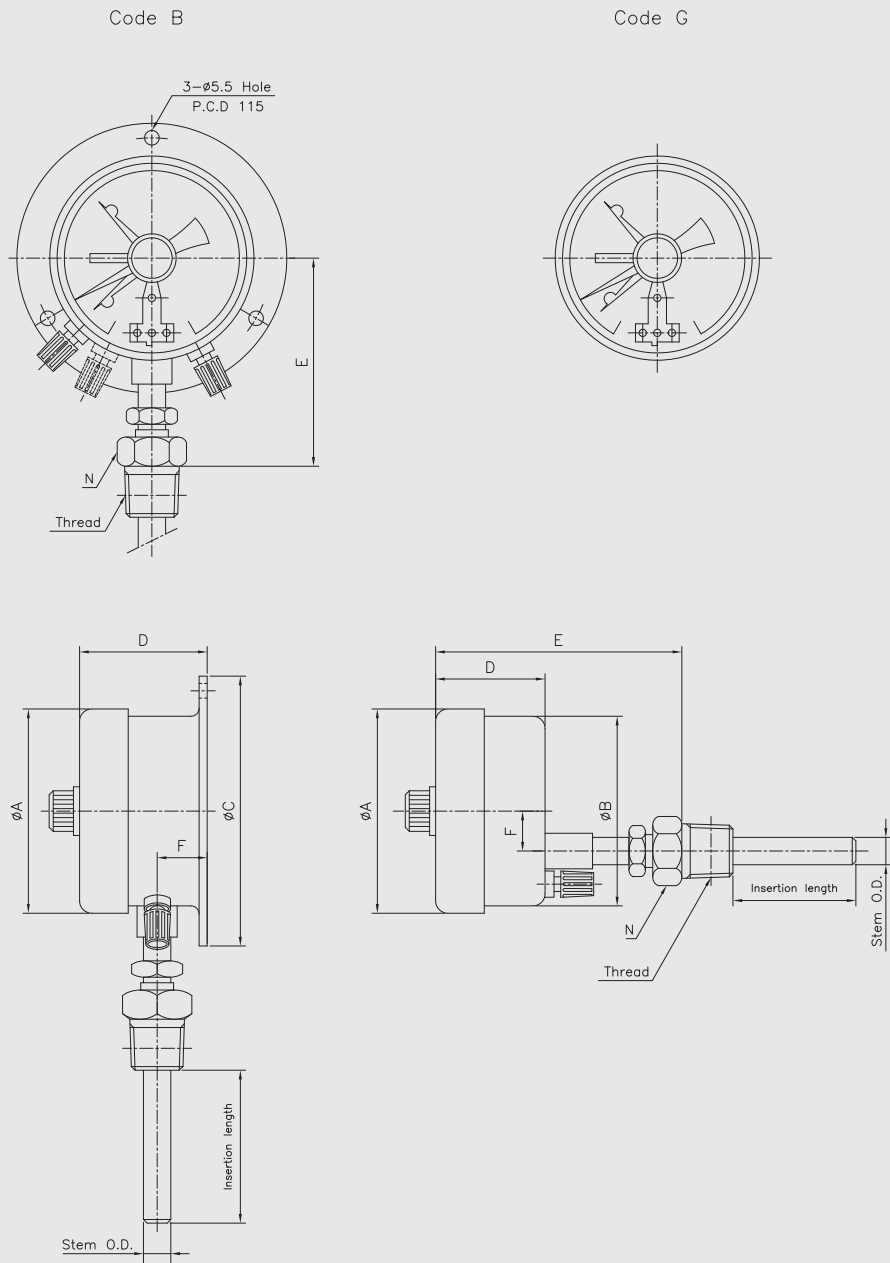
**10. Accessories**

- 0** None
- 1** Thermowell
- 2** Special accuracy ( $\pm 1.0\%$  of full scale)
- 3** Thermowell and special accuracy

1	2	3	4	5	6	7	8	9	10
T721	4	B	1	E	C	3	XXX	X	1

Sample  
ordering code

## T72X : Type of mounting



Dimensions (mm)

Dial Size	Available code	A	B	C	D $\pm$ 2	E $\pm$ 2	F $\pm$ 1	N
100	T721,T723	B	110	128	83.7	110	20.5	27x31.2 HEX
	T722,T724		110	128	83.7	110	20.5	27x31.2 HEX
	T721,T723	G	110	105	83.7	133.8	25	27x31.2 HEX
	T722,T724		110	105	83.7	143.7	25	27x31.2 HEX

## Scale ranges

Code	Scale range (°C)	Scale spacing (°C)	Minimum stem length (mm)		
			8.0	10.0	12.0
032	-50 ~ 50	2	100	85	65
037	-50 ~ 100	5	100	85	65
054	-30 ~ 50	2	100	85	65
059	-30 ~ 100	5	100	85	65
061	-30 ~ 120	2	100	85	65
069	-20 ~ 50	2	100	85	65
074	-20 ~ 100	2	100	85	65
079	-20 ~ 150	5	100	85	65
084	-10 ~ 50	1	100	85	65
099	0 ~ 50	1	100	85	65
100	0 ~ 60	1	100	85	65
101	0 ~ 70	2	100	85	65
102	0 ~ 80	1	100	85	65
104	0 ~ 100	2	100	85	65
106	0 ~ 120	2	100	85	65
109	0 ~ 150	2	100	85	65
114	0 ~ 200	5	100	85	65
119	0 ~ 250	5	100	85	65
124	0 ~ 300	5	100	45	40
129	0 ~ 350	5	100	45	40
134	0 ~ 400	5	100	45	40
144	0 ~ 500	10	100	45	40
154	0 ~ 600	10	100	45	40
164	0 ~ 700	10	100	45	40

\* 0 ~ 700°C/Special range

## Insertion length

Code	1	2	3	4	5	6	7	8	9	A	B	C
Length (mm)	50	60	70	80	100	120	130	150	175	200	225	250

Code	D	E	F	G	H	J	K	L	M	N	P
Length (mm)	275	300	350	375	400	450	500	550	1,000	1,500	2,000