

FEATURES

- 4Digit(48x96) panel mounting
- Single phase 2wire system
- RS485/modbus-RTU
- 2point Alarm (selectable W,V,A)
- Transfer output from 4.00 to 20.00mA (selectable W,V,A)
- Input up to 500V AC, 5A



SPECIFICATIONS

▷ Voltage Input

Rated voltage : 0~500V AC
 Line-to-line (delta voltage) : 500V(single-phase/2wire)
 Consumption VA : ≤ ULN2 / 270kΩ / phase
 Overload capacity : 200% of rating for 10sec.
 120% continuous.

▷ Current Input

Rated current : 0~5A AC
 Consumption VA : ≤ I20.01 / phase
 Overload capacity : 4000% of rating for 1sec.
 2000% for 4sec.
 120% continuous

Selectable primary current range : 1~99.9A

▷ Operational range

Voltage, current, apparent power : ≤120% of the rating
 Reactive power : 120% of the rating
 Frequency : 45-65Hz
 Power factor : 0.000~1.000

▷ Temperature

Input : RTD(PT100Ω at 0°C)
 Scale : -10°C ~ 140°C
 Alarm : H/L selectable

▷ Power Supply

AC : Operational voltage range 85~264V AC
 50~60Hz; <6VA
 DC : Operational voltage range 99~264V,
 ripple 10% p-p max.; <3W
 Operating temperature : -10 to +55°C
 Operating humidity : 30 to 90%RH (non-considering)
 Mounting : panel mounting
 Weight : 320g

▷ DC Current : 4~20mA DC

Load resistance : ≤ 600Ω

Measurands converted into analog output :

Voltage, Current, Active apparent power

Measurands applicable to alarm :

Voltage, current, power, temp

▷ Accuracy

(at 23°C±10°C or 45-65Hz)

▷ Voltage : ±0.5% (±0.2% for option/H)

▷ Current : ±0.5% (±0.2% for option/H)

▷ Power : ±0.5%

▷ Harmonic contents : ±1%

▷ Analog output : Accuracy of assigned measurand or ±0.2%, whichever is greater.

In percentage of the spans : 480V for voltage, 5A or current, 4155W for active power.

▷ Response time : ≤2sec.(0-99%)

≤3sec. for frequency and harmonic contents

▷ Sampling time :

harmonic contents frequency : ≤1.1sec.

Other : ≤600msec.

▷ Insulation resistance : ≥100MΩ with 500V DC

Voltage input to current input to distance to network interface or configurator jack of analog output to power

▷ Dielectric strength :

4000V AD @ 1minute (voltage input or current discrete input or discrete output or network interface or configurator jack or analog output to power)

2500V AC @ 1minute

(voltage input or current discrete input or discrete output or network interface or configurator jack or analog output)

INPUT TYPE

- > Voltage : 0~500V AC
- > Current : 0~5A AC

MAJOR FUNCTIONS

▷ Display current function(CT-n)

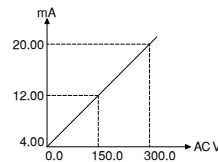
CT (Current Transformer)		CT-n (Number of revolutions)	Power Factor=1 ACV × I
Primary(A)	Secondary(B)		
5A	5(A)	1.0	220V×5=1.10kW
⋮		⋮	⋮
25		5.0	220V×25=5.50kW
50		10.0	220V×50=11.00kW
75		15.0	220V×75=16.50kW
100(A)		20.0	220V×100=22.00kW

CT-n(Current Transformer) = B/A
(A:Primary Current, B:Secondary Current)

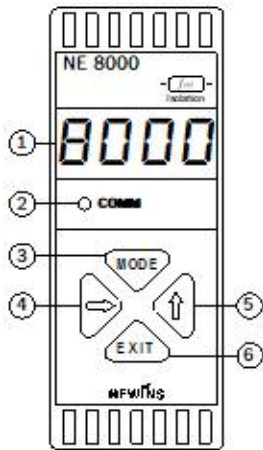
▷ Output scaling function (V,A,W)

This function can change the AC0.0~300V value as the output scale

ex) In case of display value AC 0.0 to 300.0V



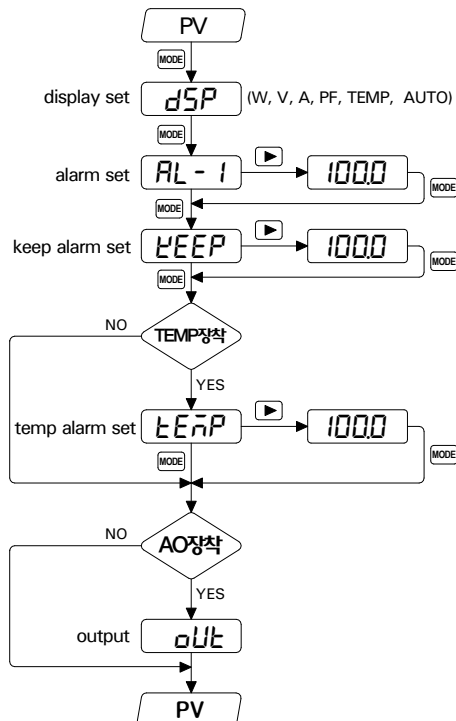
PARTS NAME



- ① Measured value display
- ② **MODE** Key :
Storage the set data and change the operation menu
- ③ **←** Key :
Enter into the data setting mode and modify the changed location
- ④ **↑** Key :
Change the data value
- ⑤ **EXIT** Key : Out of mode

OPERATION MODE

Buy instrument and user is mode that play setup according to use purpose. data setup method refuse each part button menu.

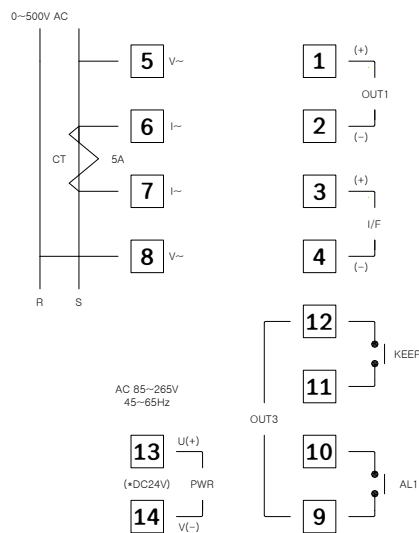


ORDERING CODE

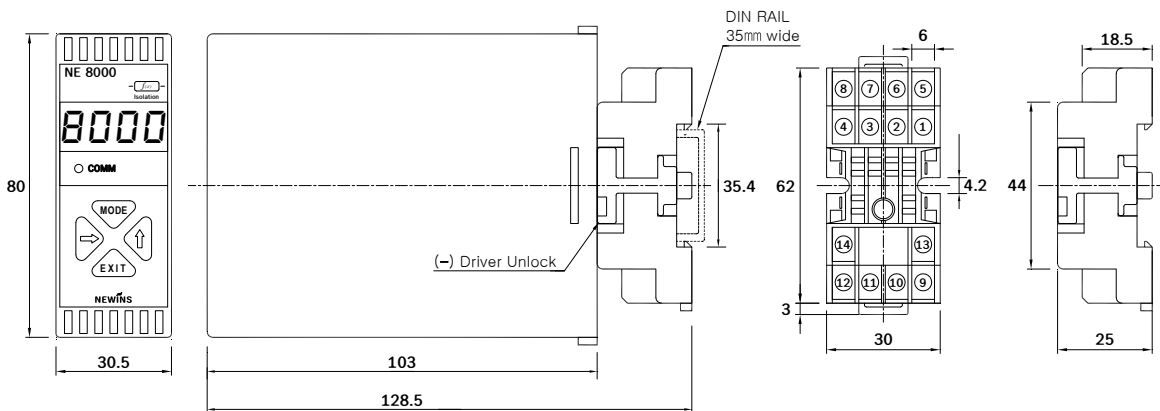
NE 80			-		Description
Output	0				DC4.0~20.0mA
Power	0				AC 85~265V (45~65Hz)
	1				DC 24V



TERMINAL DIAGRAM



DIMENSION & PANEL CUT



* When mounting, no extra space is needed between units