

2!K ire Transmitter? HF!)) \$!G` .

OPERATION MANUAL

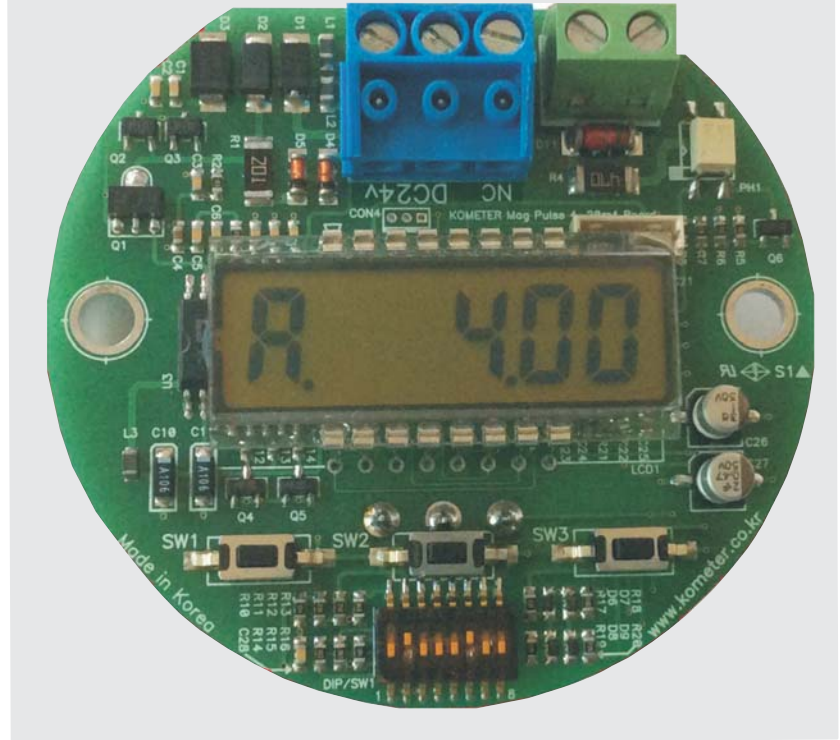
Features

- Self powered, 6digit rate display
- Simple flow chart programming with English prompts
- -20 to 80 °C (-70 to 176°F) operation
- Wide Range pulse level input's
- Easy selection Pulse condition
- Multipoint linearity correction (option)

Options

- Hart communication
- Pulse output

KTR-550-S 2-wire Pulse Transmitter



Overview

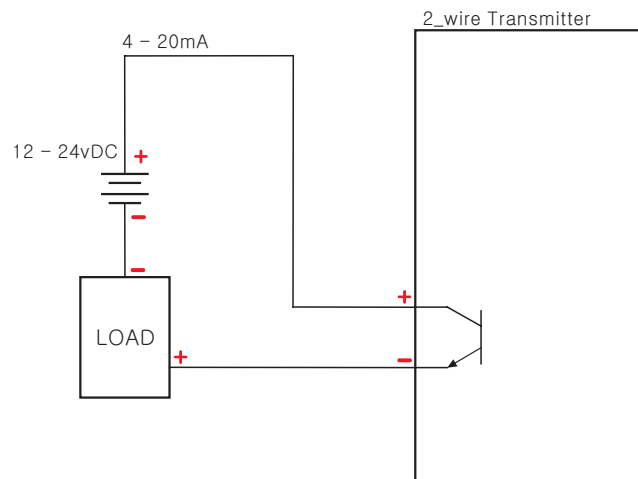
Connections

Input Signal Connection

Input Signal Type	Terminal		Dip Switch Setting							
	+	-	1	2	3	4	5	6	7	8
1.Open collector	1	2	Off	Off	Off	Off	On	Off	Off	On
2.Voltage Pulse	1	2	Off	Off	Off	Off	Off	Off	Off	On
3.Reed switch	1	2	Off	Off	Off	On	On	Off	Off	On
4.Coil(20mVp-p)	1	2	Off	Off	Off	Off	Off	On	Off	Off
5.Coil(low impedance)	1	2	Off	On	Off	Off	Off	On	Off	Off

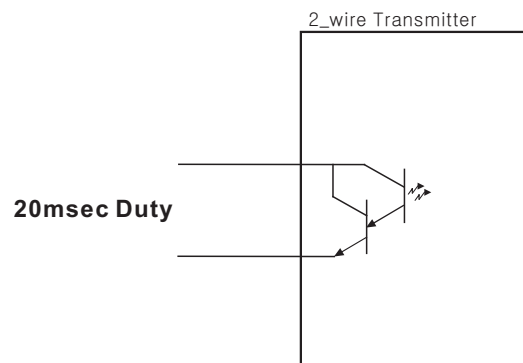
4 - 20mA Analog Output Connection

Non-Isolation & only Loop Power supply 8 to 24v DC



Pulse output Connection

Isolation & Darlington Open collector output



INTRODUCTION

LCD display

Display Mode change is Increment key use.



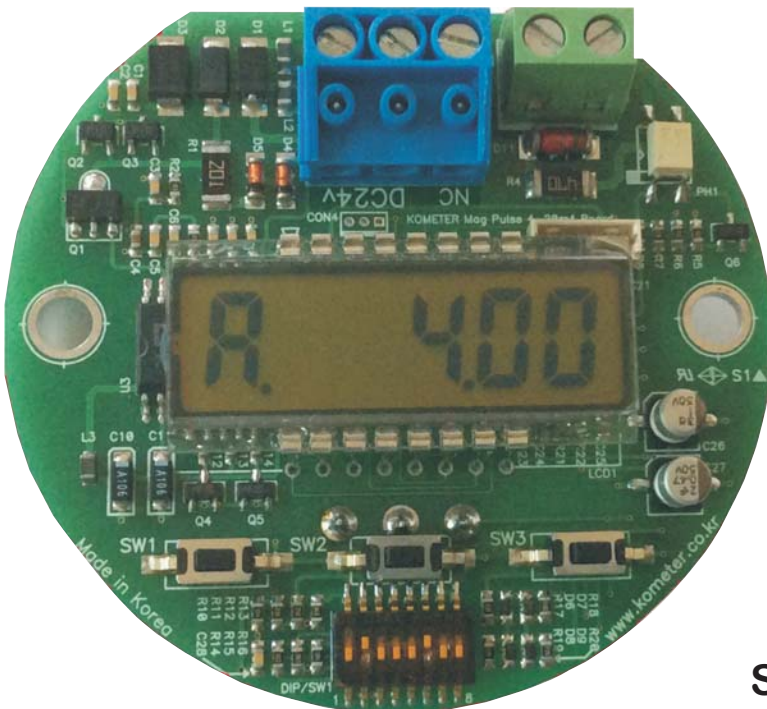
Frequency Display Mode
0.0 to 4999.9Hz



Current Display Mode
4.00 to 21.40mA



Percentage Display Mode
0.0% to 100.0%



Sw1 = Mode

Sw2 = Shift

Sw3 = Increment

PROGRAMMING FLOW CHART

